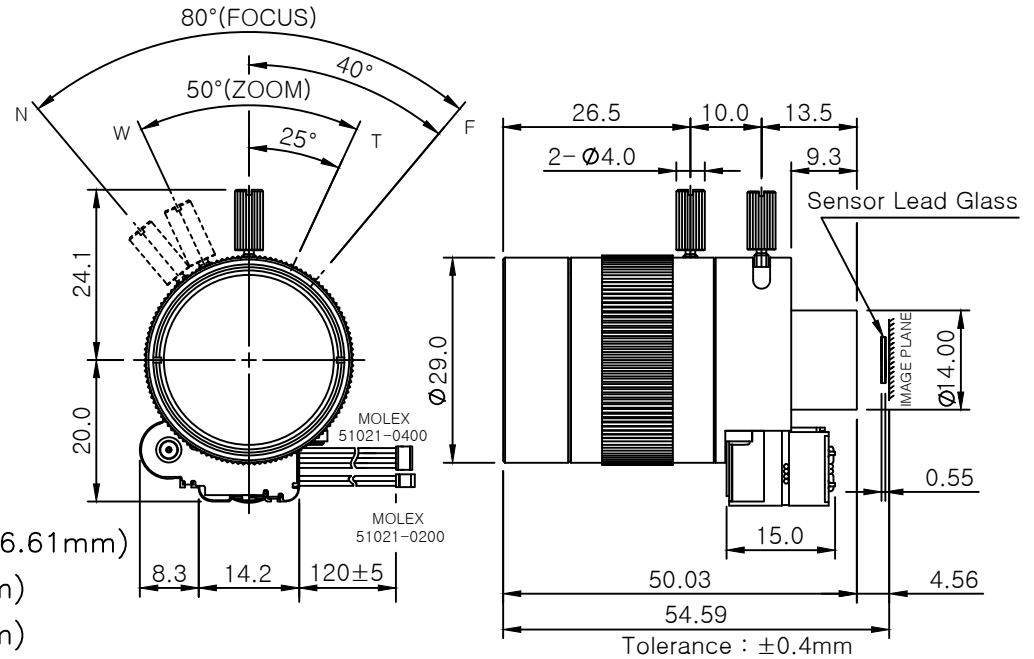


# SPECIFICATION

MODEL : 60500-3MASDN-P- Ø14  
(3 Mega Pixel)

- Focal Length : 6.4 ~ 47.4 mm ±5%
- Back Focal Length : 5.63 ~ 5.69 mm
- TV Distortion : 1/2.7" -7.8 ~ -0.5%  
1/3" -5.2 ~ -0.4%  
1/4" -2.8 ~ -0.2%
- Aperture Ratio : 1.6 (~1.8 : Tele) ~ 360
- Max. Image Format : 1/2.7" CMOS 5.76(H) X 3.24(V) mm (Ø6.61mm)  
1/3" CCD 4.8(H) X 3.6(V) mm (Ø6.0mm)  
1/4" CCD 3.6(H) X 2.7(V) mm (Ø4.5mm)
- Operation : Iris / Auto Iris , Focus / Manual
- Angle of View : (1/2.7" CMOS) (D)65.9° ~ 7.9° X (H)55.8° ~ 6.9° X (V)29.8° ~ 3.9°  
(1/3" CCD) (D)58.5° ~ 7.2° X (H)45.3° ~ 5.7° X (V)33.3° ~ 4.3°  
(1/4" CCD) (D)42.2° ~ 5.4° X (H)33.3° ~ 4.3° X (V)24.7° ~ 3.3°
- Lens Construction : 8 Components 10 Elements (Including 2 Aspherical Lens Element)



IRIS MOTOR PIN NUMBER			
1	WHITE	+	CONTROL 3.5V~5V
2	BLACK	-	COIL (465Ω) /20°C
3	RED	+	DRIVE 3.5V~5V
4	GREEN	-	COIL (190Ω) /20°C

IR CUT MOTOR PIN NUMBER			
1	YELLOW	±	DRIVE IR Cut Filter IN→OUT 3.5V~5V
2	BROWN	±	COIL (190Ω) OUT→IN -5V~-3.5V

DAIWON OPTICAL CO., LTD.