

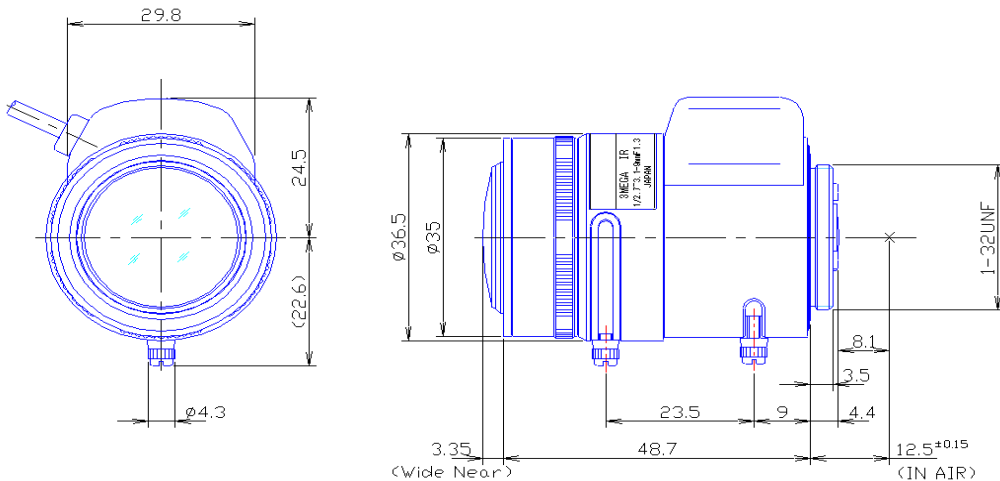
3 Mega Pixel



# LMVZ3109A-IR

Type	AI VARI		Mount	CS	
Focal Length	3.1~9.0mm		Back Focus	8.317~15.491mm	
Fno.	F1.3		Mechanical B f	8.1mm	
Designed Image Format	1/2.7" (φ6.6mm)		Exit Pupil	-281.9 ~ -30.15mm	
Operation Range	Iris	F1.3-F360	Filter Size	-	
	Focus	0.5m~∞	Aperture	Front	φ23.3mm
	Zoom	3.1~9.0mm		Rear	φ8.2mm
Control	Iris	DC Galvanometer	Dimension	φ36.5 x 48.7mm	
	Focus	Manual Control	Weight	(70g)	
	Zoom	Manual Control			
	ICR	-			
Object Size at MOD	Wide	4 : 3 759.0 x 1206.2mm	16 : 9 583.4 x 1445.4mm		
	Tele	244.5 x 330.4mm	199.0 x 362.6mm		
Field of View	D	127.7° ~ 43.5°	127.7° ~ 43.5°		
	H	4 : 3 99.4° ~ 34.8°	16 : 9 109.3° ~ 38.0°		
	V	73.1° ~ 26.1°	59.4° ~ 21.4°		
Control	Iris	Focus	Zoom	-	
Driving Coil/Supply Volt	190Ω	-	-	-	
Damping Coil/Current	855Ω	-	-	-	
Response Time	-	-	-	-	
Potentiometer	-	-	-	-	
Light Measuring Method	-				
Input Signal	-				
Iris Accuracy	-				
Sensitivity Adjustment	-				
Operating Temperature	-10 ~ +50 °C				

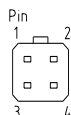
## DIMENSIONS



## Wiring Diagram

4 Pin Standard Connector for Auto Iris

Pin No. 1	Damping (-)
Pin No. 2	Damping (+)
Pin No. 3	Driving (+)
Pin No. 4	Driving (-)



Subject to change without notice