

Tokina

33X SUPER-MOTORIZED ZOOM LENS

TM33Z1540N f = 15-500mm F/4.0 3-Motors
 TM33Z1540NPN f = 15-500mm F/4.0 3-Motors With Preset

SPECIFICATIONS

MODEL NUMBER	TM33Z1540N / TM33Z1540NPN		
IMAGE FORMAT	1/2inch		
FOCAL LENGTH	15-500mm		
MAXIMUM APERTURE	F1 : 4.0		
APERTURE RANGE	F1:4.0 - Close		
M.O.D.	2.9m		
ANGLE OF VIEW ()=1/3"	HORIZONTAL	23.185° - 0.747° (17.492° - 0.562°)	
	VERTICAL	17.492° - 0.562° (13.164° - 0.423°)	
FILTER SIZE	M105mm, P=1.0		
DIMENSIONS	W122 x H125 x L267		
WEIGHT	2.9Kg		
OPERATING TEMPERATURE	-20°C ~ 60°C		
MOUNT	C		

Electrical

	IRIS	FOCUS	ZOOM
INPUT VOLTAGE	DC+6 ~ +12V	DC+6 ~ +12V	DC+6 ~ +12V
CURRENT CONSUMPTION	50mA or Less	50mA or Less	60mA or Less
MOTORIZATION SPEED	Approx. 3 Seconds (6V)	9.5 Seconds (6V)	5 Seconds (6V)

CABLE CONNECTIONS

• IRIS

CABLE COLOR	POLARITY	DIRECTION
Brown	+ (-)	Close (Open)
Yellow	- (+)	

• FOCUS

CABLE COLOR	POLARITY	DIRECTION
Black	+ (-)	Inf. (Near)
Red	- (+)	

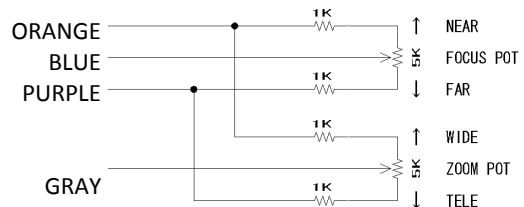
• ZOOM

CABLE COLOR	POLARITY	DIRECTION
Green	+ (-)	Wide (Tele)
White	- (+)	

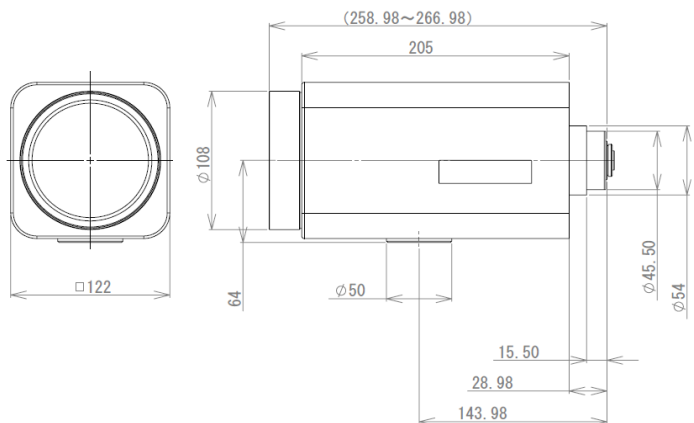
• POTENTIOMETER-PRESET (TM33Z1540NPN Only)

CABLE COLOR	CONNECTION
Orange	Pot. Supply
Gray	Zoom Pot. Wiper
Purple	Pot. Return
Blue	Focus Pot Wiper

Wiring details for potentiometer-preset



APPERANCE



* Design and Specifications are subject to change without notice.