

55X SUPER-MOTORIZED AUTO FOCUS ZOOM LENS

TM55Z1038GAIPNX2-iAF f = 10-550mm(-1100mm) F3.8 AUTO FOCUS GALVANO DC IRIS, 2x extender, Preset

SPECIFICATION

MODEL NUMBER		TM55Z1038GAIPNX2-iAF(CONT)	
OPERATION	IRIS	VIDEO IRIS (Galvano)	
	FOCUS	MORTORIZED · PRESET	
	ZOOM	MORTORIZED · PRESET	
BUILT-IN x2 EXTENDER		NOT WORKING	WORKING
FOCAL LENGTH		10-550mm	20-1100mm
IMAGE FORMAT		1/2"	
APERTURE RANGE		F3.8-360	F7.6-720
ANGLE OF VIEW	DIAGONAL	W42.66°T0.86°	W21.99°T0.43°
	HORIZONTAL	W34.57°T0.69°	W17.67°T0.34°
	VERTICAL	W26.33°T0.52°	W13.30°T0.26°
M.O.D.		5.0m	
FILTER SIZE		M95.0mm P=1.0	
DIMENSIONS		W132.0 X H120.5 X L298.5	
WEIGHT		APPROX 4170g	
OPERATING TEMPERATURE RANGE		-10°C - 50°C	
MOUNT		C	

FOCUS/ZOOM

	FOCUS	ZOOM	2X EXTENDER
INPUT VOLTAGE	DC6V~DC12V		
CURRENT CONSUMPTION	40mAOR LESS	50mAOR LESS	40mAOR LESS
MOTORIZATION SPEED(12V)	APPROX.6 SEC.	APPROX.4 SEC.	APPROX.2 SEC.

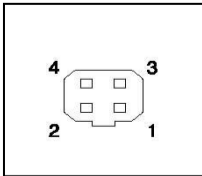
AUTO FOCUS

INPUT VOLTAGE	DC12 ± 0.5V TBR mA
INPUT SIGNAL	VBS OR CVBS SIGNAL (NTSC or PAL)
CURRENT CONSUMPTION	IN AF WORKING: 300mA OR LESS, IN AF NOT WORKING: 140mA OR LESS
AF ON/OFF	AF ON:Low/0V, AF OFF:High/2-12V AF ON < or =1Sec: TEMPORARY AUTO FOCUS AF ON > 1Sec: CONSTANT AUTO FOCUS
OUTPUT OF AF CONDITION	AF DRIVE:Low/0V, AF STOP: OPEN COLLECTOR

TEMPORARY AUTO FOCUS: AF becomes OFF(High/2-12V) after focusing by auto focus function.
 When the time of AF ON (Low/0V) input by a controller is 1 second or less, If the focusing is not completed within one certain time: 15 seconds, the focusing work is automatically stopped. (AF becomes OFF.)
 If AF ON is input by the controller for 1 second or less again before completing the focusing, the focusing work is stopped. (AF becomes OFF.)

CONSTANT AUTO FOCUS: AF is remained ON (Low/0V) till AF is back to OFF(High/2-12V) by a controller.
 The time of AF ON (Low/0V) input by a controller is more than 1 second, AF does not become OFF(High/2-12V) even though focusing by auto focus function is completed.

WIRING

IRIS CABLE				●VIDEO IRIS LENS CONNECTOR 4 PIN CONNECTOR JEITA E4-191J-100:
CABLE COLOR	CONNECTION	PIN No		
RED	POWER(DC8V-16V)	1		
BLACK	GND	2		
WHITE	VS OR V SIGNAL	3		
GREEN	N.C.	4		

DIRVE CABLE

FOCUS/ZOOM/BUILT-IN x2 EXTENDER

FOCUS	CABLE COLOR	PIN NO	POLARITY	DIRECTION
FOCUS	No1 BLACK	1	+	INF.
	No2 RED	2	+	NEAR
ZOOM	No3 WHITE	3	+	TELE
	No4 GREEN	4	+	WIDE
-	-	5		
FOCUS POT.WIRE	No6 BLUE	6	POT SUPPLY	Resistance 5KΩ
ZOOM POT.WIRE	No7 GRAY	7	POT SUPPLY	(±5%) 1W
*POWER (DC5V) IS SUPPLIED FROM INSIDE OF LENS BODY				
	-	8		
AF ON/OFF	Brown	9		
OUTPUT OF AF CONDITION	WHITE/ BLACK	10		
IRIS MANUAL	WHITE/ GREEN	11	DC1.5V(CLOSE)~5.5V(OPEN)	
AI LEVEL REMOTE	WHITE/ YELLOW	12	DC1.5V(CLOSE)~5.5V(OPEN)	
BUILT-IN x2 EXTENDER	WHITE/ RED	13	DC6-12V 40mA	
	LIGHT GREEN	14		
GENERAL GROUND	PURPLE	15		

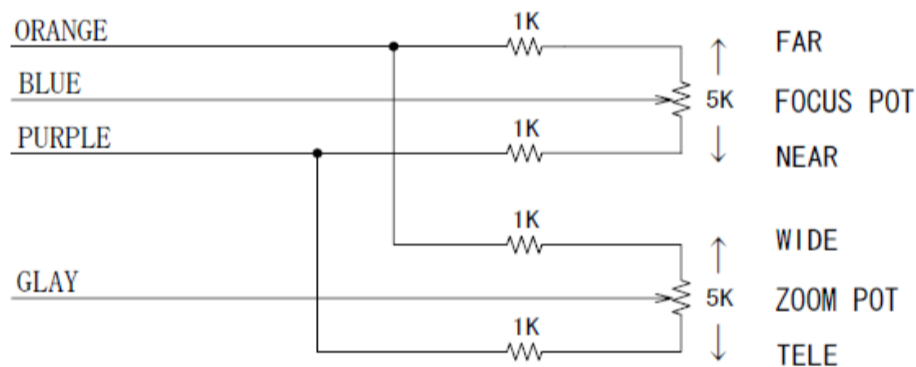
AUTO FOCUS POWER CABLE

CABLE COLOR	CONNECTION
RED*	POWER(DC12±0.5V)
BLACK*	GENERAL GROUND

*THIS TWO CABLES ARE CONNECTED ON 2PIN CONNECTOR: HIROSE HR-10A-7R-4P

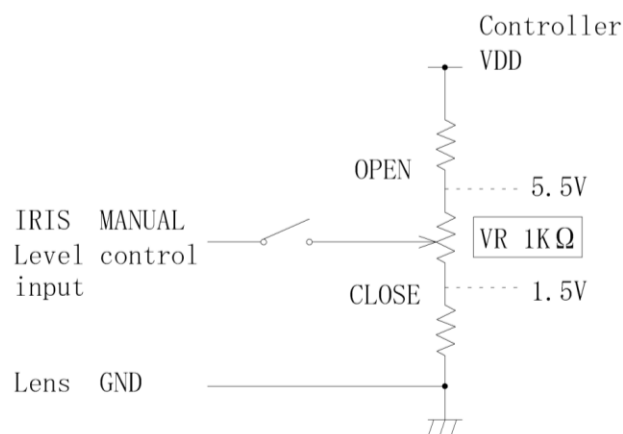
PRESET(POTENTIO wiring)

*POWER (DC5V) IS SUPPLIED FROM INSIDE OF LENS BODY

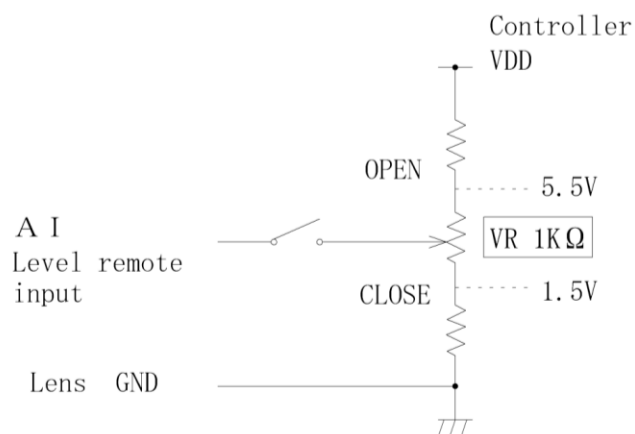


IRIS ADJUSTMENT (REMOTE)

※1 WIRING (IRIS MANUAL OVERRIDE)



※1 WIRING (LEVEL REMOTE)



IRIS ADJUSTMENT (MANUALLY)

■ ALC ADJUSTMENT (NOT REMOTE)

The unit is factory-set to the average photometry system.

Photometry adjustment can be carried out by VR marked ALC on the body.

Contrast is too strong → Turn to counterclockwise

Contrast is too weak → Turn to clockwise

■ LEVEL ADJUSTMENT (IN CASE OF NOT REMOTE)

The picture signal level is factory-set to the optimum condition, so normally no adjustment required.

Sensitivity adjustment can be carried out by VR marked LEVEL on the body.

Contrast is too strong → Turn to counterclockwise

Contrast is too weak → Turn to clockwise

APPEARANCE

