

IR Corrected Megapixel Vari-Focal Lens

TVR3918HDDC-IR TVR3918HDP-IR TVR4518HD-IR TVR4518HDDC-IR

1/2" 3MP IR

1/2" 3MP IR

1/2" 5MP IR

1/2" 5MP IR



SD RoHS

NEW SD RoHS

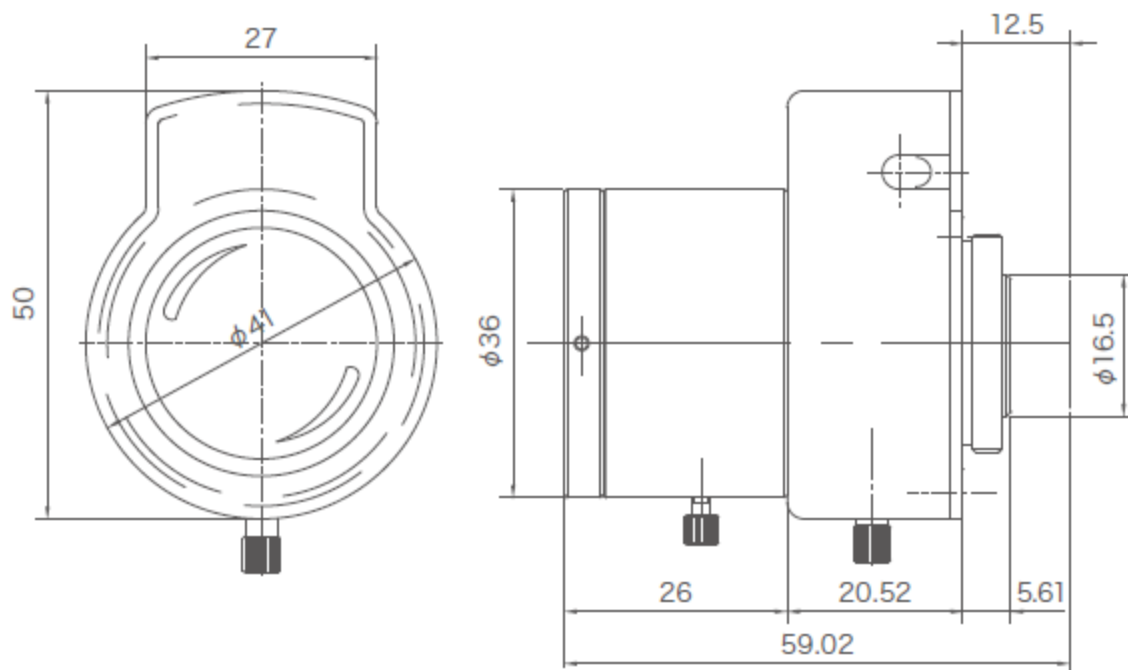
SD RoHS

SD RoHS

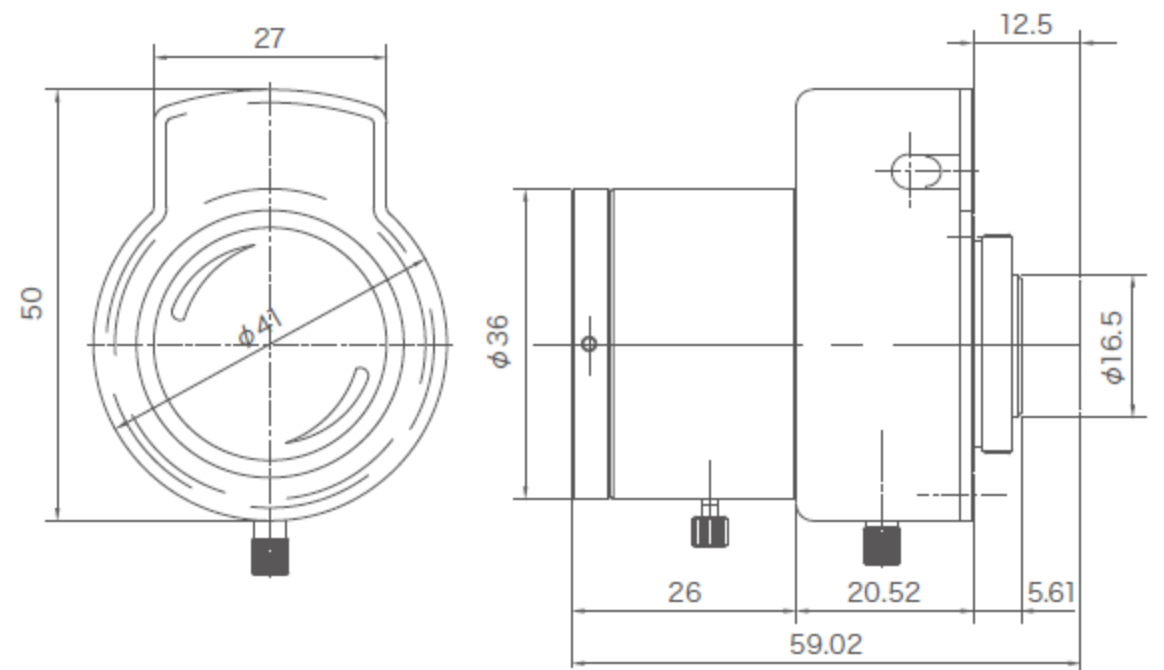
Model Name	TVR3918HDDC-IR	TVR3918HDP-IR	TVR4518HD-IR	TVR4518HDDC-IR
Image Format	1/2"	1/2"	1/2"	1/2"
Mount	CS	CS	CS	CS
Focal Length	3.9-10mm	3.9-10mm	4.5-13mm	4.5-13mm
Aperture Range	F1.8 - 360	F1.8 - 360	F1.8 - C	F1.8 - 360
Angle of View (Horizontal x Vertical)	Wide: 96.5° x 70.95° Tele: 37.3° x 28.0°	Wide: 96.5° x 70.95° Tele: 37.3° x 28.0°	Wide: 90.3° x 66.6° Tele: 29.4° x 24.0°	Wide: 90.3° x 66.6° Tele: 31.2° x 24.0°
M.O.D.	0.3m	0.3m	0.5m	0.5m
Back Focal Length	7.3mm - 13.22mm	7.3mm - 13.22mm	6.67mm	6.67mm
Dimensions (W x H x L)	ø41.0 x 50 x 46.52mm	ø41.0 x 50 x 46.52mm	ø39.0 x 59.0mm	ø39.0 x 59.0 x 61.0mm
Weight	105g	105g	123g	137g
Operating Temperature Range	-20 ~ +50 °C	-20 ~ +50 °C	-5 ~ +50 °C	-20 ~ +50 °C
Operating	Iris	DC Auto Iris	P Iris	DC Auto Iris
	Focus	Manual	Manual	Manual
	Zoom	Manual	Manual	Manual
Note	IR (Day/Night), 3Megapixel	IR (Day/Night), 3Megapixel	IR (Day/Night), 5Megapixel	IR (Day/Night), 5Megapixel

UNIT : mm

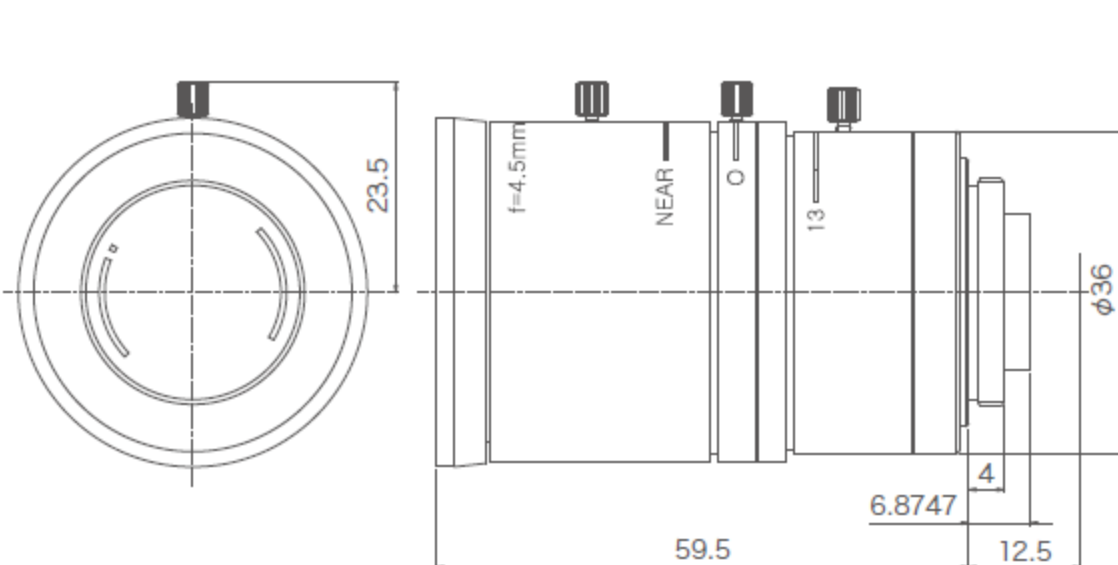
TVR3918HDDC-IR



TVR3918HDP-IR



TVR4518HD-IR



TVR4518HDDC-IR

