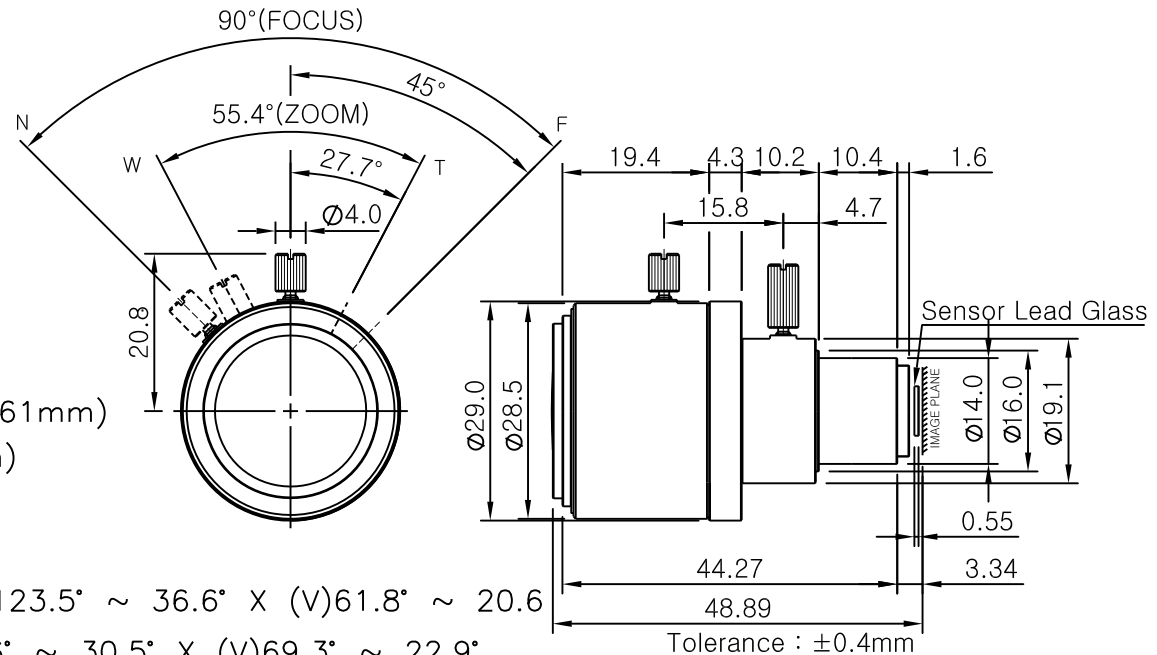


SPECIFICATION

MODEL : VIR28110G-3MAS-P- \varnothing 14 (3Mega Pixel)

1. Focal Length : 2.8 ~ 11.0 mm \pm 5%
2. Back Focal Length : 3.42 ~ 10.22 mm
3. Optical Distortion : 1/2.7" -82.84 ~ -4.87%
1/3" -56.82 ~ -3.99%
1/4" -26.76 ~ -2.20%
4. Aperture Ratio : 1.4 (2.7) ~ 360
5. Max. Image Format : 1/2.7" CMOS 5.76 X 3.24 mm (\varnothing 6.61mm)
1/3" CCD 4.8 X 3.6 mm (\varnothing 6.13mm)
1/4" CCD 3.6 X 2.7 mm (\varnothing 4.5mm)
6. Operation : Iris / Fixed , Focus / Manual
7. Angle of View : (1/2.7" CMOS) (D)161.7° ~ 42.1° X (H)123.5° ~ 36.6° X (V)61.8° ~ 20.6°
(1/3" CCD) (D)131.8° ~ 38.1° X (H)96.6° ~ 30.5° X (V)69.3° ~ 22.9°
(1/4" CCD) (D)89.3° ~ 28.6° X (H)69.3° ~ 22.9° X (V)50.9° ~ 17.1°
8. Lens Construction : 8 Components 9 Elements & 1 compensation glass (1.08T)
(Including 1 Aspherical Lens Element)



DAIWON OPTICAL CO., LTD.