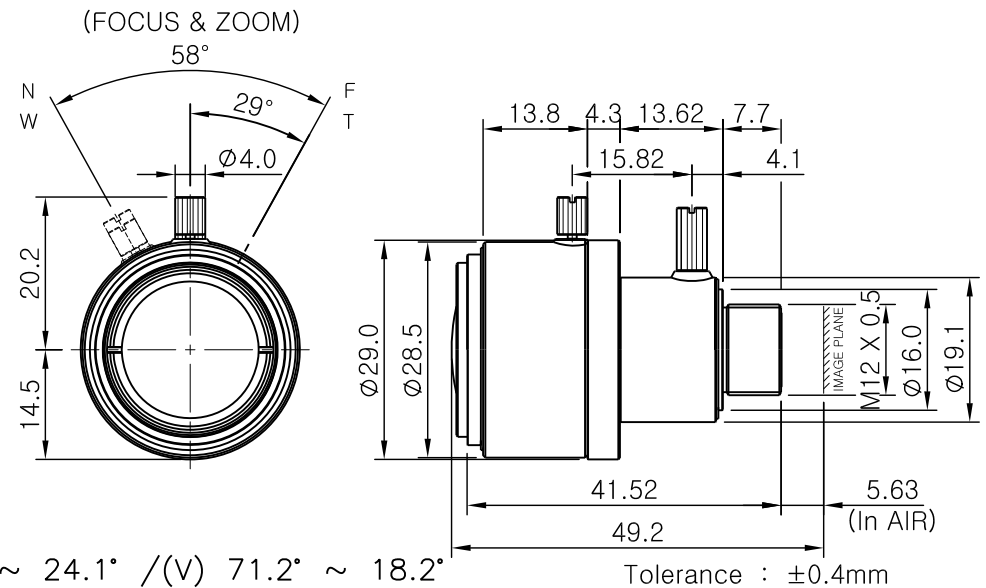


SPECIFICATION

MODEL : VIR28110M-P-M12

1. Focal Length : 2.8 ~ 10.8 mm
2. Back Focal Length : 5.94 ~ 16.69 mm
3. Optical Distortion : 1/3" -47.1 ~ -2.5%
1/4" -24.8 ~ -1.4%
4. Aperture Ratio : 1.4 ~ 360
5. Max. Image Format : 1/3" CCD 4.8 x 3.6 mm (ø6mm)
1/4" CCD 3.6 x 2.7 mm (ø4.5mm)
6. Operation : Iris / Fixed , Focus / Manual
7. Angle of View : (1/3" CCD) (D)124.3° ~ 30.2° /(H)96.7° ~ 24.1° /(V) 71.2° ~ 18.2°
(1/4" CCD) (D)89.3° ~ 22.5° /(H)70.3° ~ 18.0° /(V) 51.9° ~ 13.5°
8. Lens Construction : 10 Components 10 Elements
9. Weight : 20g



DAIWON OPTICAL CO., LTD.