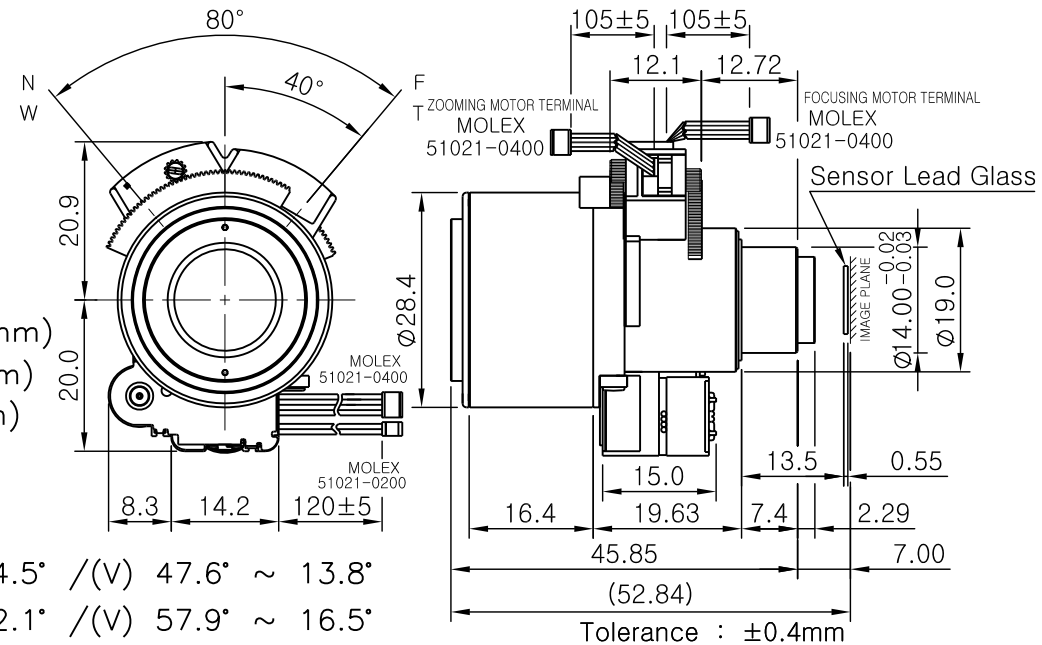


SPECIFICATION

MODEL : VIR35160G-3MASDNZ-P-Ø14

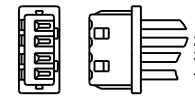
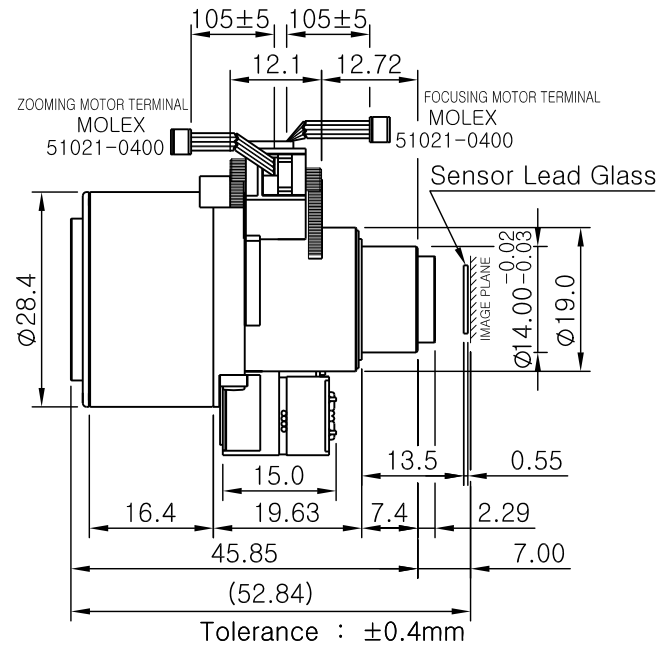
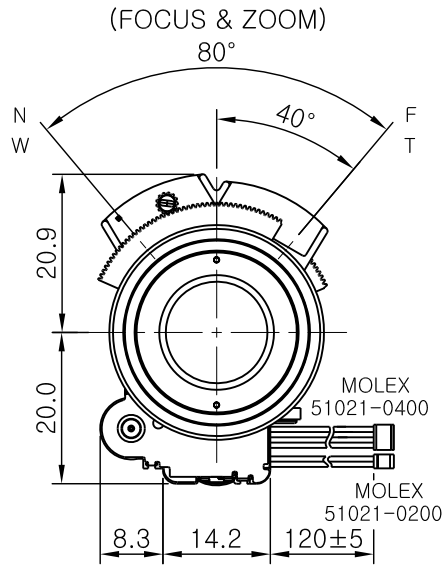
1. Focal Length : 3.5 ~ 16.0 mm
2. Back Focal Length : 6.15 ~ 16.11 mm
3. Optical Distortion :
 - 1/2.7" CMOS -43.22 ~ -2.14%
 - 1/2.8" CMOS -41.25 ~ -2.09%
 - 1/3" -35.64 ~ -1.87%
 - 1/4" -17.71 ~ -1.03%
4. Aperture Ratio : 1.2 ~ 360
5. Max. Image Format :
 - 1/2.7" CMOS 5.8(H) x 3.2(V) mm (Ø6.61mm)
 - 1/2.8" CMOS 5.6(H) x 3.8(V) mm (Ø6.4mm)
 - 1/3" CCD 4.9(H) x 3.69(V) mm (Ø6.13mm)
 - 1/4" CCD 3.6(H) x 2.7(V) mm (Ø4.5mm)
6. Operation : Iris / Auto Iris , Focus / Manual
7. Angle of View :
 - (1/2.7" CMOS) (D)110.9° ~ 28.2° /(H)91.6° ~ 24.5° /(V) 47.6° ~ 13.8°
 - (1/2.8" CMOS) (D)108.1° ~ 27.6° /(H)80.8° ~ 22.1° /(V) 57.9° ~ 16.5°
 - (1/3" CCD) (D)100.0° ~ 26.1° /(H)75.4° ~ 20.8° /(V) 54.9° ~ 15.7°
 - (1/4" CCD) (D)69.4° ~ 19.4° /(H)54.2° ~ 15.5° /(V) 39.9° ~ 11.6°
8. Lens Construction : 8 Components 8 Elements & 1 Compensation Glass (1.1T)
(Including 1 Aspherical Lens Element)
9. Weight : 30g



DAIWON OPTICAL CO., LTD.

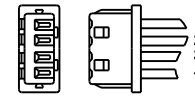
SPECIFICATION

MODEL : VIR35160G-3MASDNZ-P-Ø14



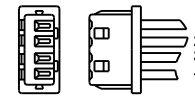
FOCUSING MOTOR (4 PIN)

| | | | | |
|---|--------|-----------|--------------|-------------------|
| 1 | ORANGE | B | COIL (28.5Ω) | 2.6V ~ 4.8V /23°C |
| 2 | BROWN | A | COIL (28.5Ω) | 2.6V ~ 4.8V /23°C |
| 3 | YELLOW | \bar{B} | COIL (28.5Ω) | 2.6V ~ 4.8V /23°C |
| 4 | RED | \bar{A} | COIL (28.5Ω) | 2.6V ~ 4.8V /23°C |



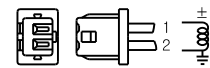
ZOOMING MOTOR (4 PIN)

| | | | | |
|---|--------|-----------|--------------|-------------------|
| 1 | ORANGE | B | COIL (28.5Ω) | 2.6V ~ 4.8V /23°C |
| 2 | BROWN | A | COIL (28.5Ω) | 2.6V ~ 4.8V /23°C |
| 3 | YELLOW | \bar{B} | COIL (28.5Ω) | 2.6V ~ 4.8V /23°C |
| 4 | RED | \bar{A} | COIL (28.5Ω) | 2.6V ~ 4.8V /23°C |



IRIS MOTOR (4 PIN)

| | | | | |
|---|-------|---|-------------|-----------------|
| 1 | WHITE | + | CONTROL | 3.5V ~ 5V /20°C |
| 2 | BLACK | - | COIL (465Ω) | 3.5V ~ 5V /20°C |
| 3 | RED | + | DRIVE | 3.5V ~ 5V /20°C |
| 4 | GREEN | - | COIL (190Ω) | 3.5V ~ 5V /20°C |



IR CUT FILTER MOTOR (2 PIN)

| | | | | |
|---|--------|---|-------------|------------------------------|
| 1 | YELLOW | ± | DRIVE | IR Cut Filter IN→OUT 3.5V~5V |
| 2 | BROWN | ± | COIL (190Ω) | OUT→IN -5V~-3.5V |

FOCUSING AND ZOOMING MOTOR
EXCITING PATTEN OF CLOCKWISE ROTATION

| STEP | A | \bar{A} | B | \bar{B} |
|------|-------|-----------|--------|-----------|
| 0 | H | L | H | L |
| 1 | L | H | H | L |
| 2 | L | H | L | H |
| 3 | H | L | L | H |
| WIRE | BROWN | RED | ORANGE | YELLOW |

DAIWON OPTICAL CO., LTD.