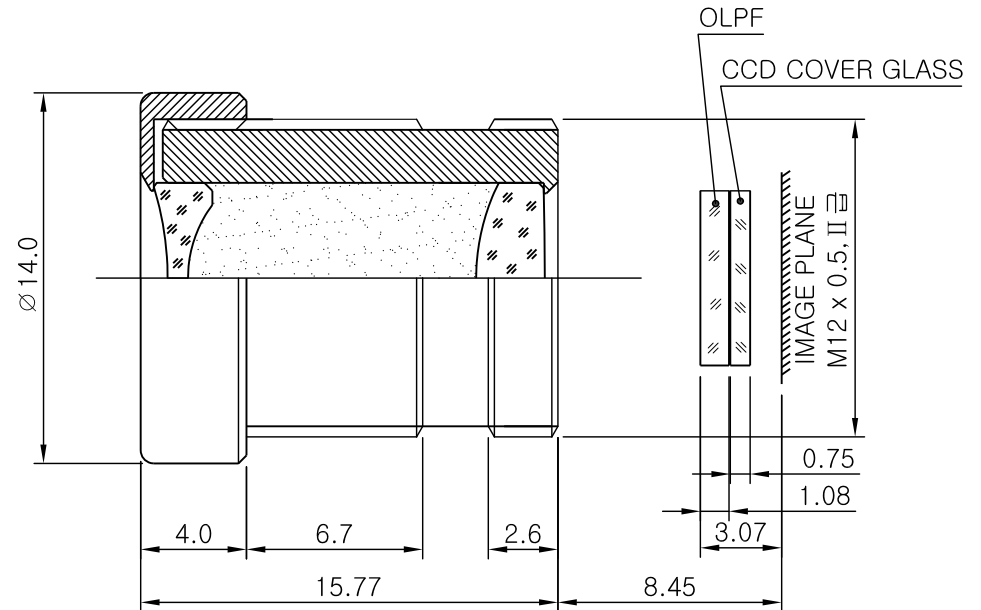


SPECIFICATION

MODEL : VIR 60518 M

1. Sensing Area : 1/3" CCD, 1/4" CCD
2. Focal Length : 6.03mm
3. Back Focal Length : 8.31mm
4. F NO. : 1.8
5. Iris : Fixed
6. Optical Distortion : 1/3" -19.9% , 1/4" -10.1%
7. Angle of View (Diagonal) : (1/3" CCD) 64.5°(D), 49.3°(H), 35.9°(V)
(1/4" CCD) 45.7°(D), 35.8°(H), 26.5°(V)
8. Focus Extent : 50 cm - ∞
9. Lens Construction : 4 Components 5 Elements
10. Weight : 5.85g



Tolerance : ± 0.4 mm

DAIWON OPTICAL CO., LTD.