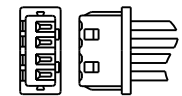
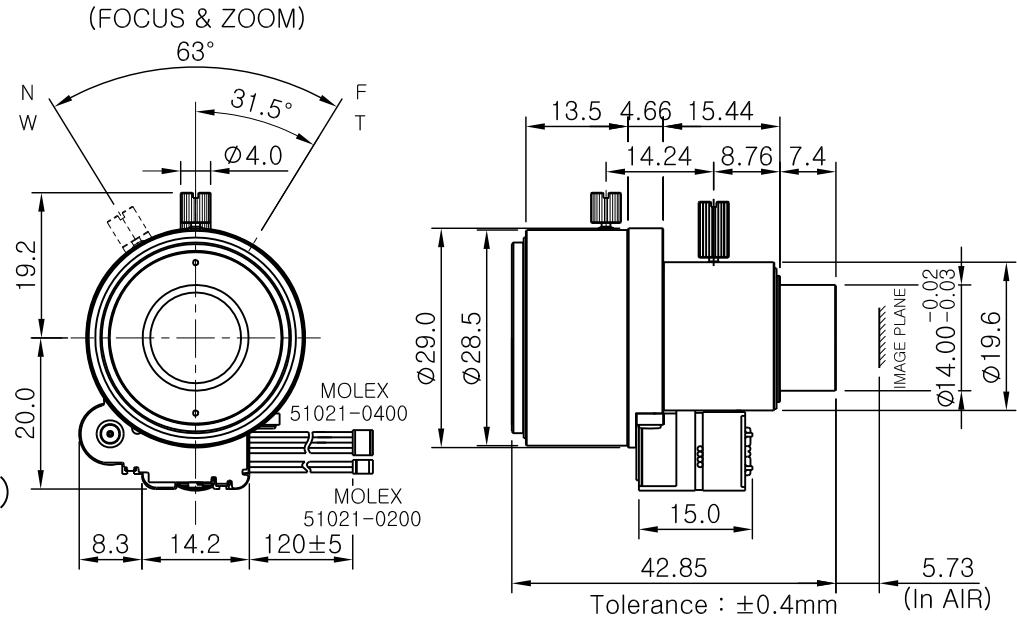


# SPECIFICATION

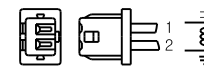
MODEL : VIR50200 MASDN1S- Ø14

1. Focal Length : 5 ~ 20 mm
2. Back Focal Length : 8.93 ~ 17.75 mm
3. Distortion : (1/3" CCD) -10.96% ~ -1.05%  
(1/4" CCD) -6.05% ~ -0.59%
4. Aperture Ratio : 1.6 ~ 360 (1.6 ~ 3.1)
5. Max. Image Format : 4.90 x 3.69 mm (Ø6.13mm)
6. Operation : Iris / Auto(DC Type), Focus / Manual
7. Angle of View : (1/3" CCD) 63.6°~23.8°(D)/50.6°~19.1°(H)/38.0°~14.5°(V)  
(1/4" CCD) 47.1°~17.8°(D)/37.6°~14.3°(H)/28.1°~10.7°(V)
8. Lens Construction : 8 Components 8 Elements  
(Contained 1Aspherical Lens Element)
9. Weight : 36.5g



IRIS MOTOR PIN NUMBER

1	WHITE	+	CONTROL	3.5V~5V
2	BLACK	-	COIL (465Ω)	/20°C
3	RED	+	DRIVE	3.5V~5V
4	GREEN	-	COIL (190Ω)	/20°C



IR CUT MOTOR PIN NUMBER

1	YELLOW	±	DRIVE	IR Cut Filter
2	BROWN	±	COIL (190Ω)	IN→OUT
				3.5V~5V
				OUT→IN
				-5V~-3.5V

DAIWON OPTICAL CO., LTD.