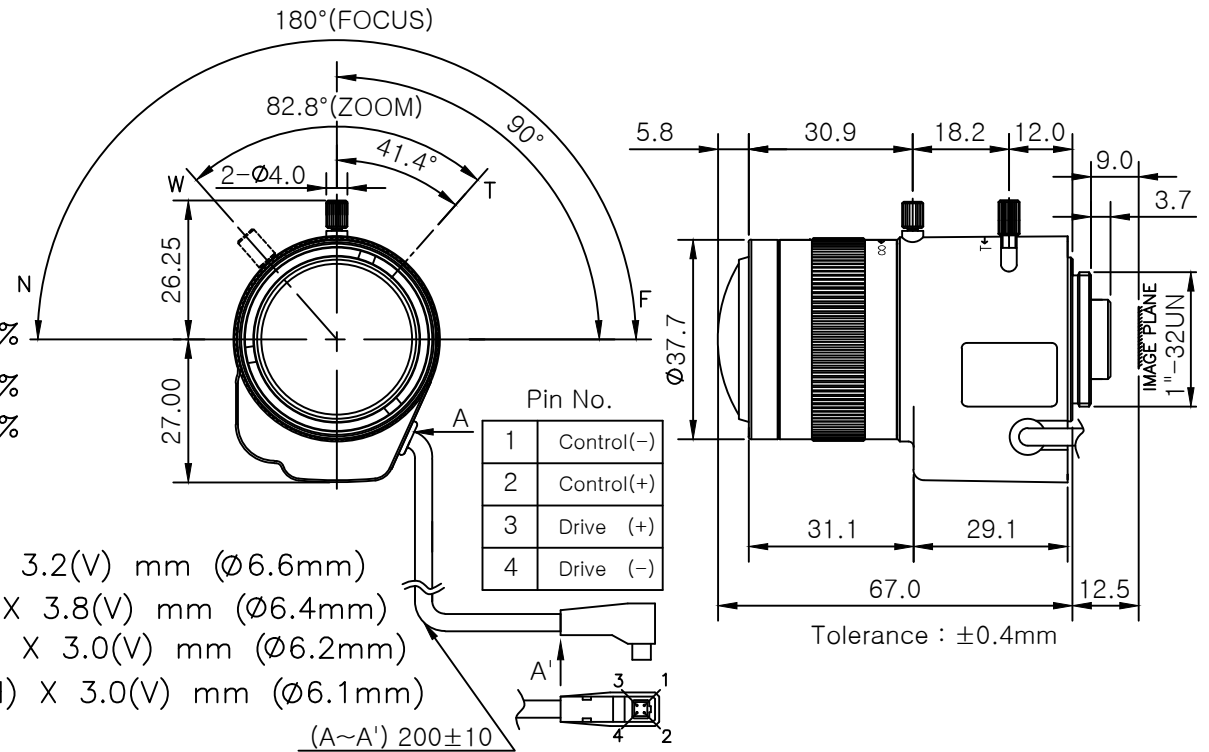


SPECIFICATION

MODEL : VIR30900-3MASD-CS-P

- Focal Length : 3.0 ~ 9.0 mm $\pm 5\%$
- Back Focal Length : 6.01 ~ 14.53 mm
- Optical Distortion : 1/2.7" CMOS $-48.5\% \sim -3.8\%$
 1/2.8" CMOS $-45.4\% \sim -3.6\%$
 1/2.9" CMOS $-42.0\% \sim -3.3\%$
 1/3" CMOS $-41.5\% \sim -3.3\%$
- Aperture Ratio : 1.4 (2.7) ~ 360
- Max. Image Format : 1/2.7" OV2710(2M) 5.8(H) X 3.2(V) mm ($\Phi 6.6\text{mm}$)
 1/2.8" IMX036(3.1M) 5.1(H) X 3.8(V) mm ($\Phi 6.4\text{mm}$)
 1/2.9" IMX136(2.07M) 5.4(H) X 3.0(V) mm ($\Phi 6.2\text{mm}$)
 1/3" MN3041PLJ(2.1M) 5.3(H) X 3.0(V) mm ($\Phi 6.1\text{mm}$)
- Operation : Iris / Auto Iris , Focus / Manual
- Angle of View : (1/2.7" CMOS) (D)131.8° ~ 41.7° X (H)115.3° ~ 36.4° X (V)64.9° ~ 20.5°
 (1/2.8" CMOS) (D)127.8° ~ 40.4° X (H)102.6° ~ 32.3° X (V)76.9° ~ 24.3°
 (1/2.9" CMOS) (D)123.3° ~ 38.9° X (H)107.7° ~ 33.9° X (V)60.5° ~ 19.2°
 (1/3" CMOS) (D)122.6° ~ 38.8° X (H)107.1° ~ 33.8° X (V)60.1° ~ 19.0°
- Lens Construction : 10 Components 12 Elements & 1 Compensation Glass (1.1T)
 (Including 2 Aspherical Lens Element)
- Weight : 77g



DAIWON OPTICAL CO., LTD.