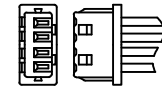
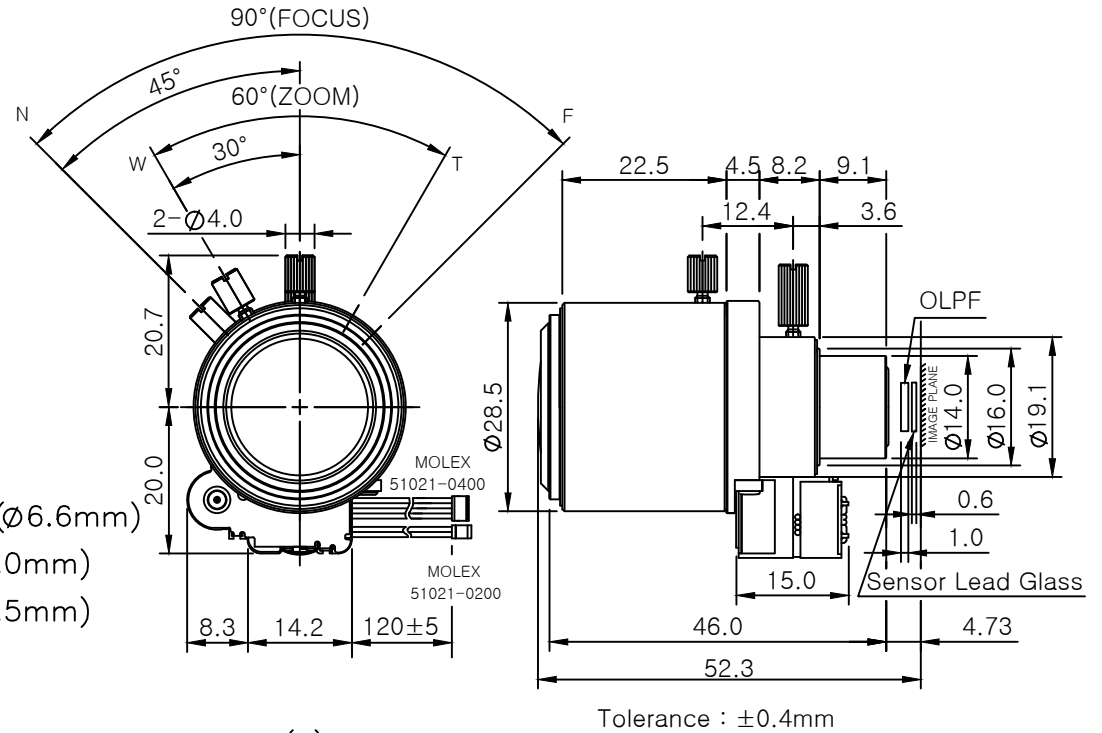


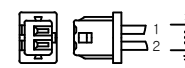
# SPECIFICATION

MODEL : 33120-3MASDN-Ø14  
(3Mega Pixel)

1. Focal Length : 3.3 ~ 12.0 mm ±5%
2. Back Focal Length : 4.7 ~ 10.8 mm
3. TV Distortion : 1/2.7" -16.8 ~ -0.7%  
1/3" -11.5 ~ -0.5%  
1/4" -6.1 ~ -0.3%
4. Aperture Ratio : 1.8 (~3.3 : Tele) ~ 360
5. Max. Image Format : 1/2.7" CMOS 5.8(H) X 3.2(V) mm (Ø6.6mm)  
1/3" CCD 4.8(H) X 3.6(V) mm (Ø6.0mm)  
1/4" CCD 3.6(H) X 2.7(V) mm (Ø4.5mm)
6. Operation : Iris / Auto Iris , Focus / Manual
7. Angle of View : (1/2.7" CMOS) (D)117.3° ~ 33.4° X (H)100.1° ~ 29.2° X (V)53.7° ~ 16.5°  
(1/3" CCD) (D)104.8° ~ 30.3° X (H)81.7° ~ 24.4° X (V)60.0° ~ 18.3°  
(1/4" CCD) (D)76.1° ~ 22.9° X (H)60.0° ~ 18.3° X (V)44.5° ~ 13.8°



IRIS MOTOR PIN NUMBER			
1	WHITE	+	CONTROL 3.5V~5V
2	BLACK	-	COIL (465Ω) /20°C
3	RED	+	DRIVE 3.5V~5V
4	GREEN	-	COIL (190Ω) /20°C



IR CUT MOTOR PIN NUMBER			
1	YELLOW	±	DRIVE IR Cut Filter IN→OUT 3.5V~5V
2	BROWN	±	COIL (190Ω) OUT→IN -5V~-3.5V

DAIWON OPTICAL CO., LTD.