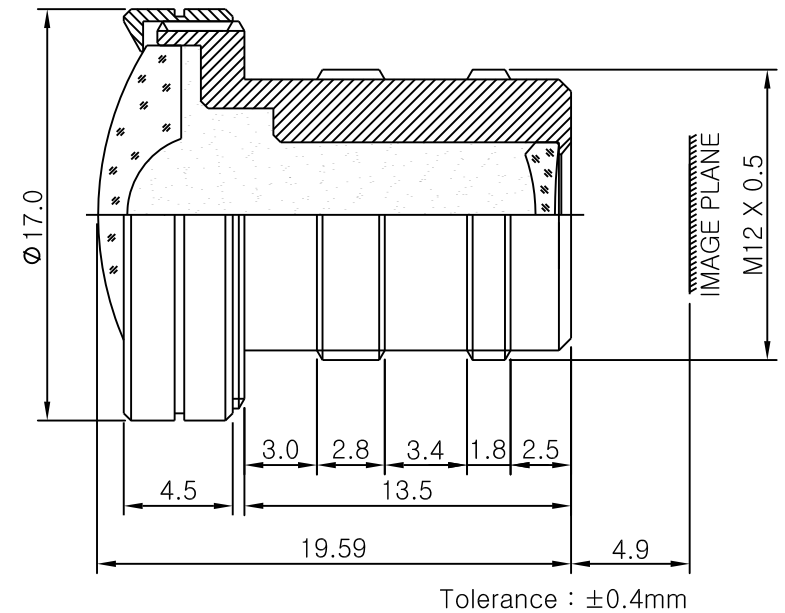


SPECIFICATION

MODEL : DW 2162

1. Sensing Area : 1/3" CCD , 1/4" CCD
2. Focal Length : 2.1mm
3. Back Focal Length : 5.44mm
4. F NO. : 2.0
5. Iris : Fixed
6. Optical Distortion : 1/3" -76.4% , 1/4" -37.8%
7. Angle of View : (1/3" CCD) 160.0°(D), 125.9°(H), 92.4°(V)
(7% Over Scan) (1/4" CCD) 116.0°(D), 91.2°(H), 67.8°(V)
8. Focus Extent : 40cm - ∞
9. Lens Construction : 6 Components 6 Elements
10. Weight : 7g



DAIWON OPTICAL CO., LTD.