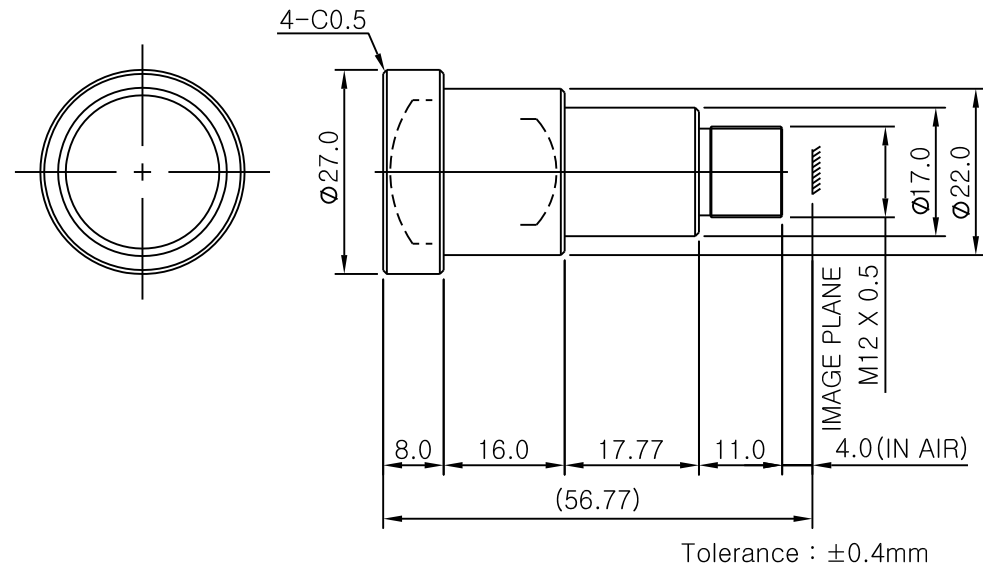


# SPECIFICATION

MODEL : DW 500425

1. Sensing Area : 1/2" CCD
2. Focal Length : 50mm
3. Back Focal Length : 33.78mm
4. F NO. : 2.5
5. Iris : Fixed
6. Optical Distortion : -0.03%
7. Angle of View : 9.2°(D), 7.3°(H), 5.5°(V)
8. Focus Extent : 40cm - ∞
9. Lens Construction : 4 Components 4 Elements
10. Weight : 38g



DAIWON OPTICAL CO., LTD.