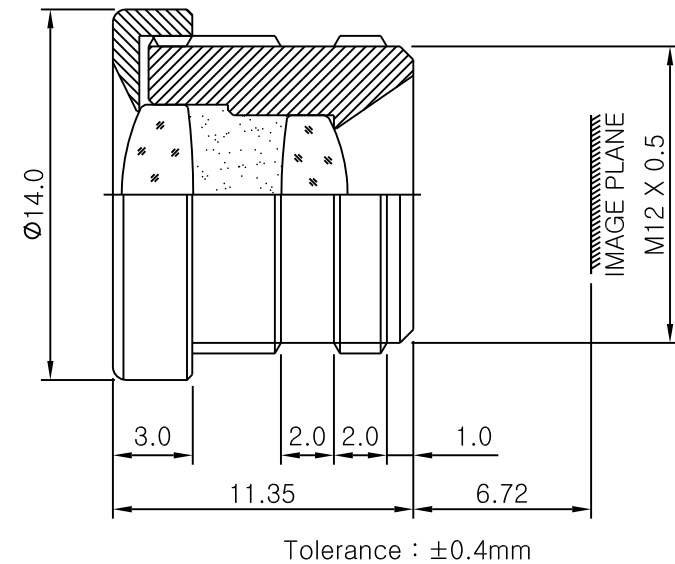


# SPECIFICATION

MODEL : DW 9611

1. Sensing Area : 1/3" CCD , 1/4" CCD
2. Focal Length : 12mm
3. Back Focal Length : 9.2mm
4. F NO. : 2.2
5. Iris : Fixed
6. Optical Distortion : 1/3" 0.96% , 1/4" 0.33%
7. Angle of View : (1/3" CCD) 28.0°(D), 20.1°(H), 15.2°(V)  
(7% Over Scan) (1/4" CCD) 19.0°(D), 16.3°(H), 120.0°(V)
8. Focus Extent : 40cm - ∞
9. Lens Construction : 3 Components 3 Elements
10. Weight : 3.4g



DAIWON OPTICAL CO., LTD.