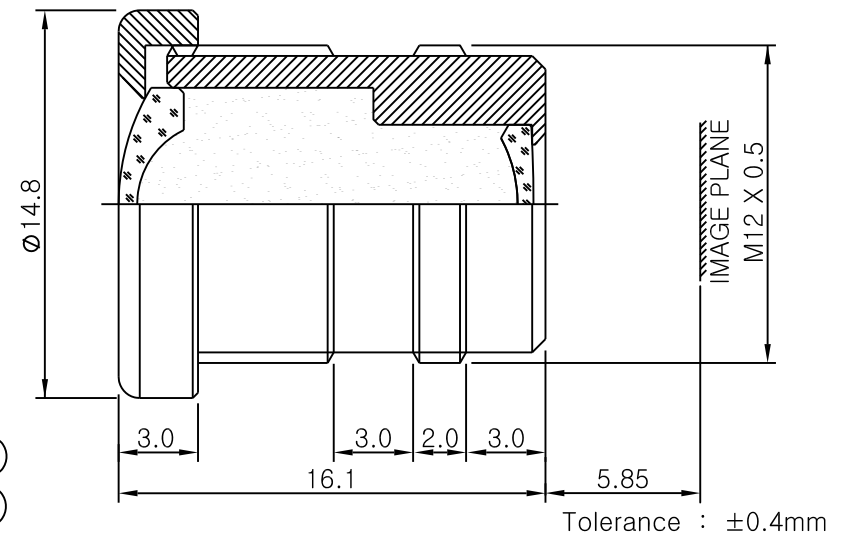


SPECIFICATION

MODEL : DW 9707

1. Sensing Area : 1/3" CCD , 1/4" CCD
2. Focal Length : 4.3mm
3. Back Focal Length : 6.3mm
4. F NO. : 2.0
5. Iris : Fixed
6. Optical Distortion : 1/3" -18.6% , 1/4" -12.1%
7. Angle of View : (1/3" CCD) 78.0°(D), 62.1°(H), 46.3°(V)
(1/4" CCD) 60.4°(D), 48.0°(H), 35.8°(V)
8. Focus Extent : 40cm - ∞
9. Lens Construction : 4 Components 4 Elements
10. Weight : 5.7g



DAIWON OPTICAL CO., LTD.