

# HEZ8585RDC

## [SPECIFICATIONS]

Image Size:  $\frac{1}{2}$   $\frac{1}{3}$   $\frac{1}{4}$

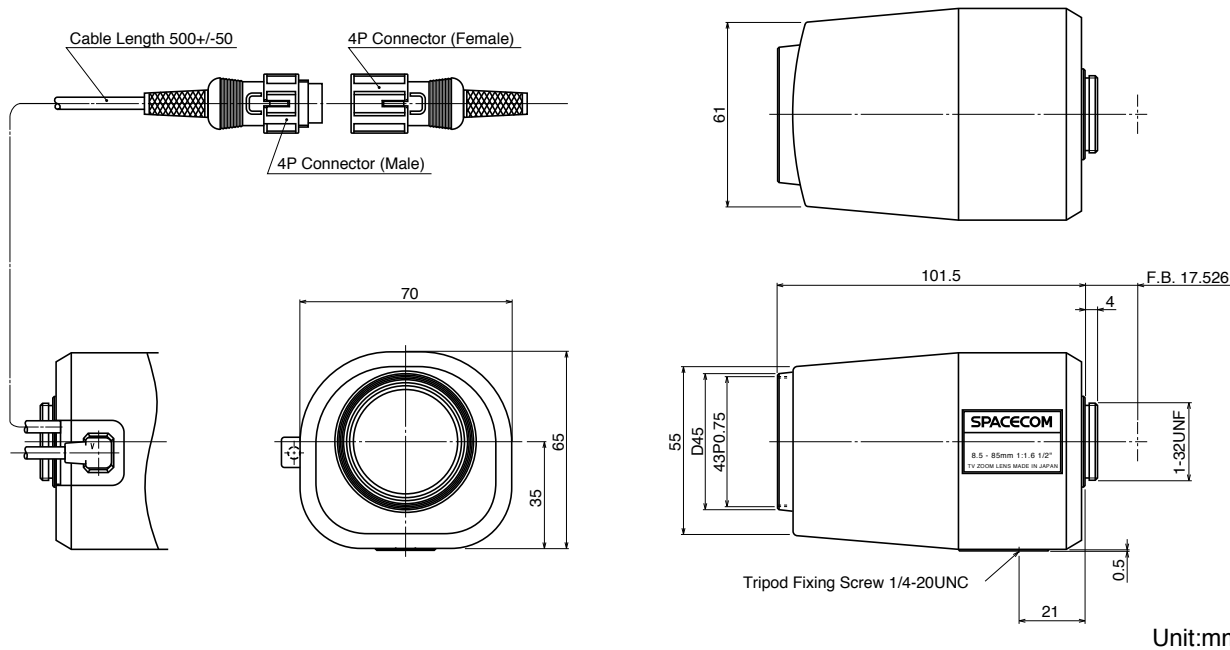
Focal Length :	8.5 - 85mm	Flange Back :	17.526mm
Maximum Relative Aperture :	1:1.6	Operation : Zoom :	Motorized(DC+/-6.4V, Max40mA) Speed Approx. 6.5sec.
Iris :	F1.6 - Approx. 360 (With ND Spot Filter)	Focus :	Motorized(DC+/-6.4V, Max40mA) Speed Approx. 6.5sec.
Zoom Ratio :	10X	Iris :	IG(Auto Close System) Close to Open : Less than 4.0V Open to Close : More than 0.1V Speed Within 4sec.
Angular Field of View :	41.3 X31.5 deg. at 8.5mm 4.3 X 3.2 deg. at 85mm	Operation Temperature :	-10 to +50
Image Format :	6.4X4.8mm(D8mm)	Mount :	C-Mount(Adjustable Lens Position)
Minimum Object Distance :	1.2m(From Front Vertex)	Front Thread :	43mm P0.75
Object Dimensions at M.O.D. :	86.5X64.9cm at 8.5mm 8.6X 6.5cm at 85mm	Size, Weight :	70X65X101.5mm, Approx. 275g
Optical Back Focal Distance :	15.56mm(In Air)		

## [COMPOSITION]

- Lens . . . . .1
- Lens Cap . . . . .1
- Dust Cap . . . . .1

- 4-Conductor Connector(Female) . . . . .1  
(Any 4-conductor cable of external dia 6mm to be prepared separately.)

## [DIMENSIONS]



Unit:mm

## [CIRCUIT DIAGRAM]

