

HV612DC

【SPECIFICATIONS】

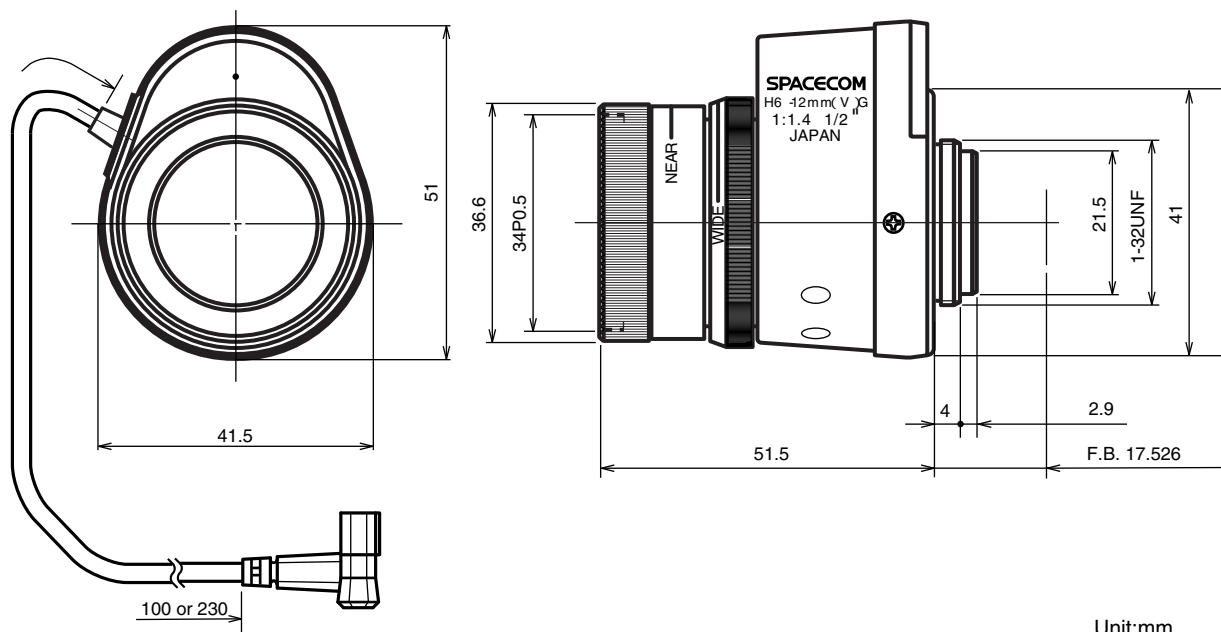
Image Size : $\frac{1}{2}$ $\frac{1}{3}$ $\frac{1}{4}$

Focal Length :	6 ~ 12mm	Optical Back Focal Distance :	11.0mm (In Air)
Maximum Relative Aperture :	1:1.4	Flange Back :	17.526mm
Iris :	F1.4 ~ Approx 360 (With ND Spot Filter)	Operation :	Focus : Manual Zoom : Manual Iris : IG(Auto Close System)
Zoom Ratio :	2X	Operating Temperature :	-10 ~ +50
Angle of View :	56.1 × 43.6 deg. at 6mm 29.9 × 22.6 deg. at 12mm	Mount :	C-Mount(Adjustable Lens Position)
Image Size :	6.4 × 4.8mm (8mm)	Front Thread :	34.0mm P0.5
Minimum Object Distance :	0.25m (From Front Vertex)	Size, Weight :	51.0 × 41.5 × 51.5mm, Approx. 65 g

【COMPOSITION】

- Lens 1
- Lens Cap 1
- Dust Cap 1

【DIMENSIONS】



【CIRCUIT DIAGRAM】

