

# JHF16M-MP2

**【SPECIFICATIONS】** Megapixel-Lens

Image Size: (2/3)

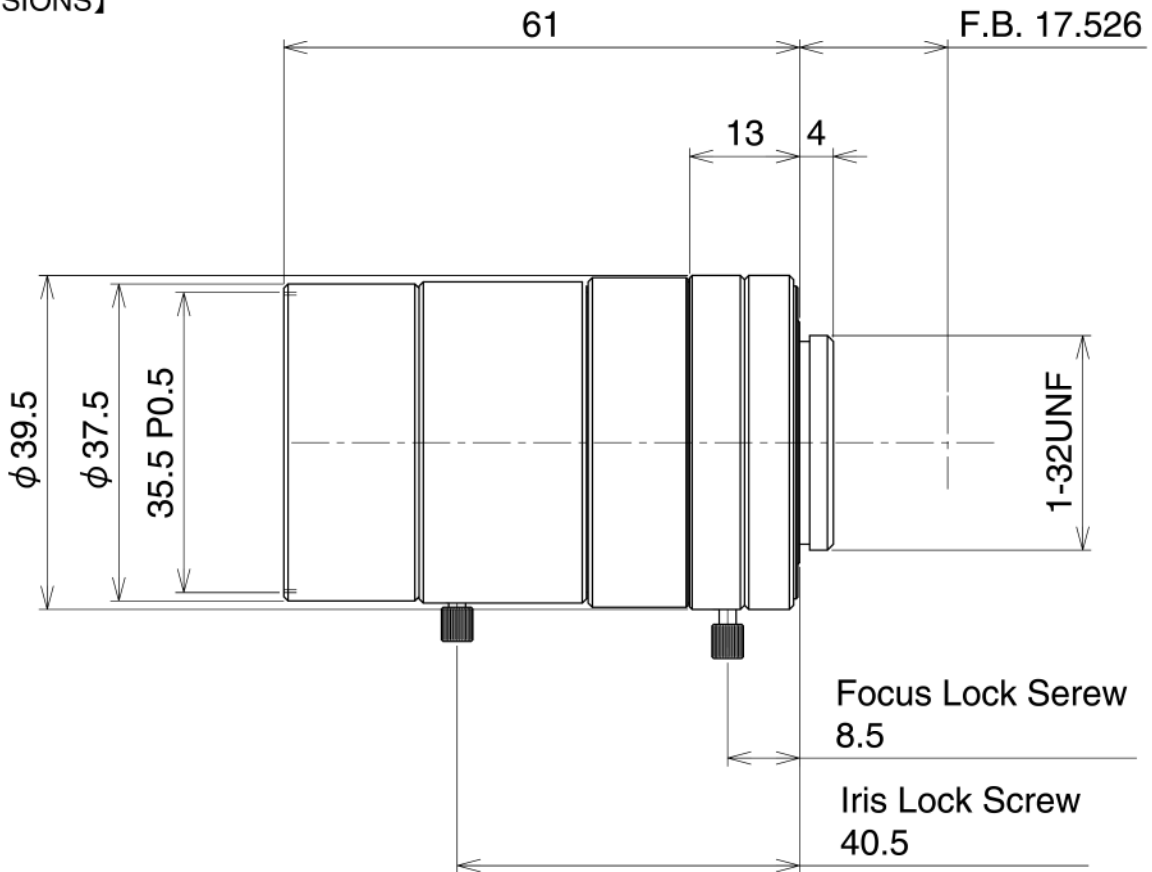
Focal Length : 16mm  
 Maximum Relative Aperture : 1:1.4  
 Iris : F1.4~F22  
 Angle of View : 30.8×23.3°  
 Image Size : 8.8×6.6mm (φ11mm)  
 Minimum Object Distance : 0.2m (From Front Vertex)  
 Optical Distortion : Max -0.17% (at near)  
 0.34% (at far)  
 TV Distortion : -0.01% (at near)  
 0.17% (at far)

Optical Back Focal Distance : 14.038mm(In Air)  
 Flange Back : 17.526mm  
 Operation : Focus : Manual  
 Iris : Manual  
 Operating Temperature : -10~+50°C  
 Mount : C-Mount  
 Filter Size : 35.5mm P0.5  
 Size : φ39.5×61mm  
 Weight : Approx. XXg

**【COMPOSITION】**

- Lens . . . . . 1
- Lens Cap . . . . . 1
- Dust Cap . . . . . 1

**【DIMENSIONS】**



Unit:mm