

JHF8M-MP

【SPECIFICATIONS】 Megapixel-Lens

Image Size : 2/3

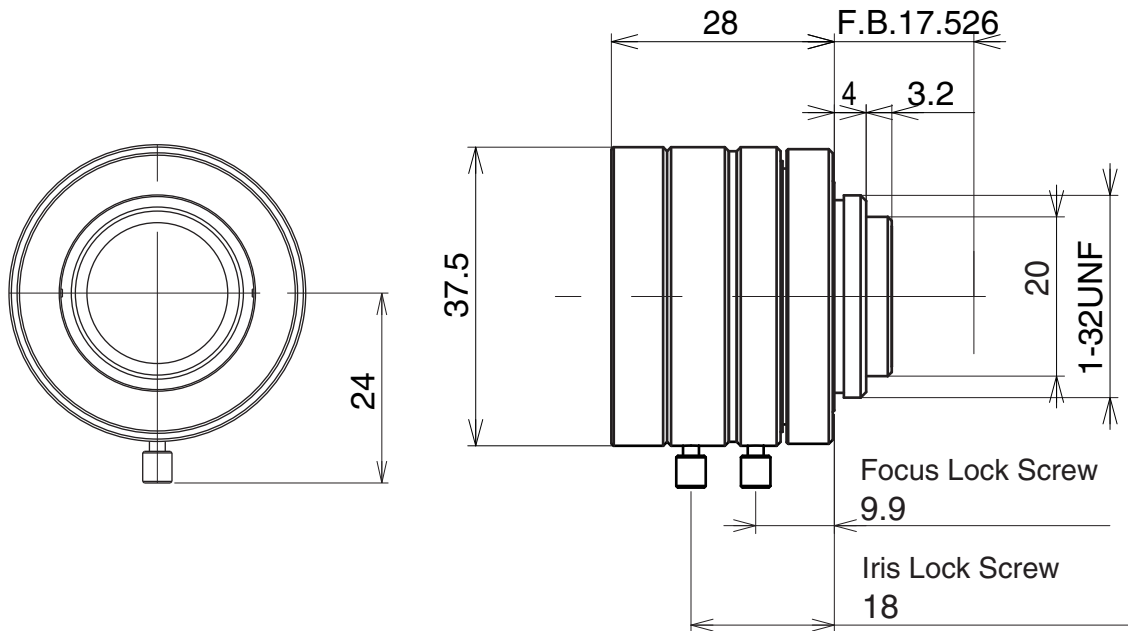
Focal Length : 8mm
 Maximum Relative Aperture : 1:1.4
 Iris : F1.4 ~ Close
 Angle of View : 56.7 × 43.8 °
 Image Size : 8.8 × 6.6mm (11mm)
 Minimum Object Distance : 0.1m (From Front Vertex)
 Optical Distortion : Max -4.45% (at near)
 -2.36% (at far)
 TV Distortion : -1.24% (at near)
 -0.48% (at far)

Optical Back Focal Distance : 10.7mm(In Air)
 Frange Back : 17.526mm
 Operation : Focus : Manual
 Iris : Manual
 Operating Temperature : -10 ~ +50
 Mount : C-Mount
 Filter Size : 35.5mm P0.5
 Size : 37.5 × 28mm
 Weight : Approx.77g

【COMPOSITION】

- Lens 1
- Lens Cap 1
- Dust Cap 1

【DIMENSIONS】



Unit:mm