

JZ1169R

Image Size: $\frac{2}{3}$ $\frac{1}{2}$ $\frac{1}{3}$ $\frac{1}{4}$

[SPECIFICATIONS]

Focal Length :	11.5 - 69mm
Maximum Relative Aperture :	1:1.4
Iris :	F1.4 - Close
Zoom Ratio :	6X
Angular Field of View :	41.9 X32.0 deg. at 11.5mm 7.3 X 5.5 deg. at 69mm
Image Format :	8.8X6.6mm(D11mm)
Minimum Object Distance :	1.0m(From Front Vertex)
Object Dimensions at M.O.D. :	72.8X54.6cm at 11.5mm 12.8X 9.6cm at 69mm
Optical Back Focal Distance :	17.93mm(In Air)

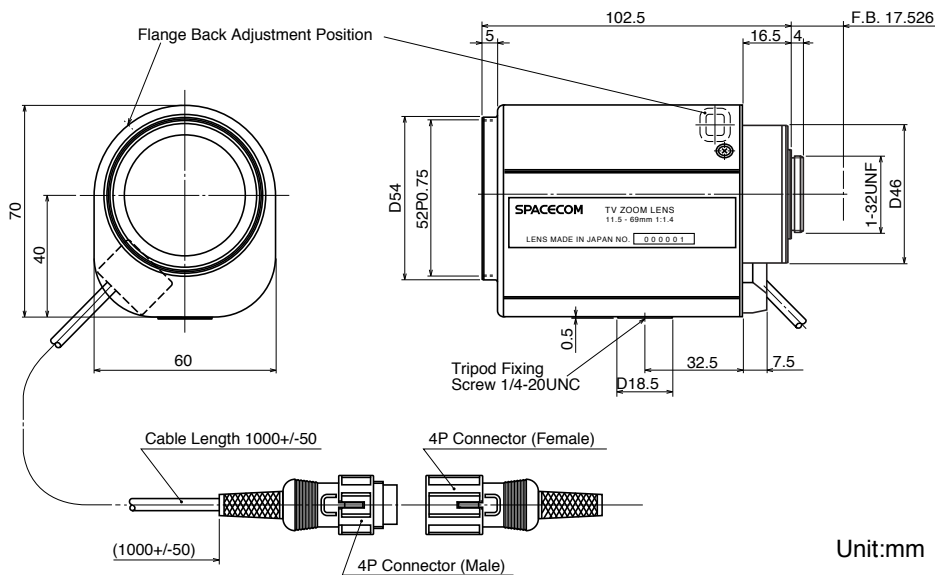
Flange Back :	17.526mm
Operation :	Zoom : Motorized(DC+/-6.4V, Max40mA) Speed Approx. 6sec.
	Focus : Motorized(DC+/-6.4V, Max40mA) Speed Approx. 7sec.
	Iris : Motorized(DC+/-6.4V, Max40mA) Speed Approx. 3.5sec.
Operation Temperature :	-10 to +50
Mount :	C-Mount(Adjustable Lens Position)
Front Thread :	52mm P0.75
Size, Weight :	70X60X102.5mm, Approx. 500g

[COMPOSITION]

Lens1
Lens Cap1
Dust Cap1

4-Conductor Connector(Female)1
(Any 4-conductor cable of external dia 6mm to be prepared separately.)

[DIMENSIONS]



[CIRCUIT DIAGRAM]

