

JZ95152R

[SPECIFICATIONS]

Image Size: $\frac{2}{3}$ $\frac{1}{2}$ $\frac{1}{3}$ $\frac{1}{4}$

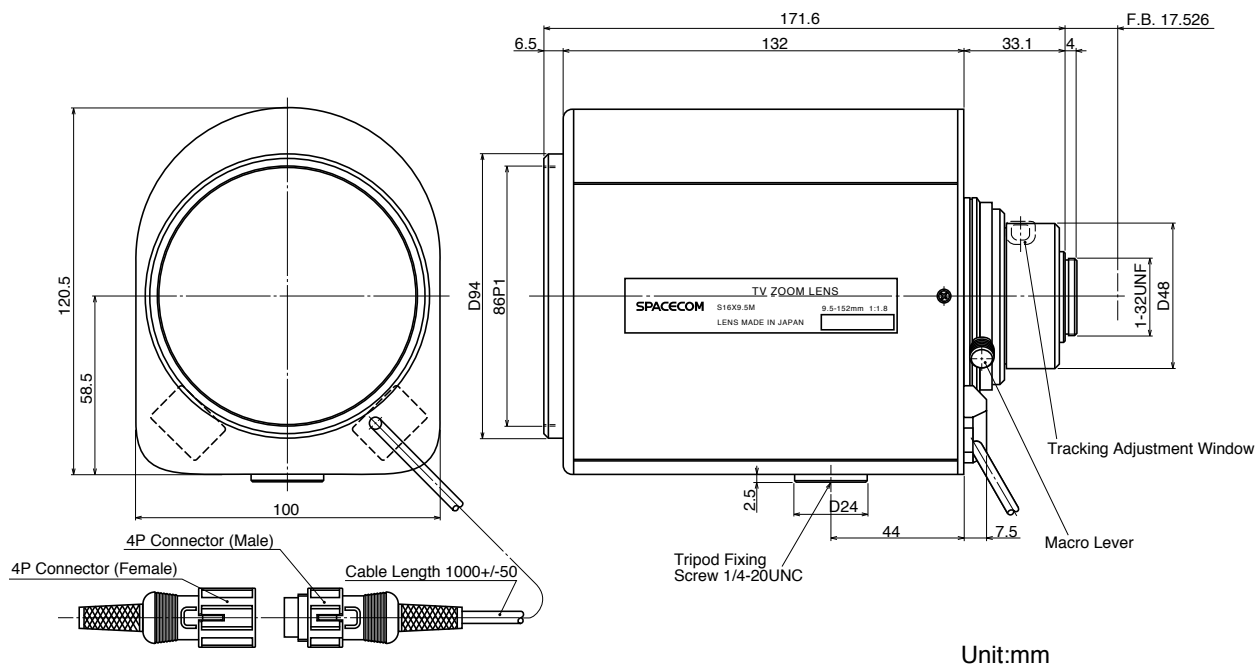
Focal Length :	9.5 - 152mm	Optical Back Focal Distance :	20.15mm
Maximum Relative Aperture :	1:1.8 at 9.5 - 110mm 1:2.3 at 152mm	Flange Back :	17.526mm
Iris :	F1.8 - Close	Operation : Zoom :	Motorized(DC+/-6.4V, Max80mA) Speed Approx. 9sec.
Zoom Ratio :	16X	Focus :	Motorized(DC+/-6.4V, Max80mA) Speed Approx. 17sec.
Angular Field of View :	49.7 X38.3 deg. at 9.5mm 3.3 X 2.5 deg. at 152mm	Iris :	Motorized(DC+/-6.4V, Max50mA) Speed Approx. 2.5sec.
Image Format :	8.8X6.6mm(D11mm)	Operation Temperature :	-10 to +50
Minimum Object Distance :	1.0m(From Front Vertex) 22mm at Macro	Mount :	C-Mount(Adjustable Lens Position)
Object Dimensions at M.O.D. :	84.3X63.4cm at 9.5mm 6.3X 4.7cm at 152mm 8.1X 5.9cm at Macro	Front Thread :	86mm P1
		Size, Weight :	120.5X100X171.6mm, Approx. 1.5kg

[COMPOSITION]

Lens1
Lens Cap1
Dust Cap1

4-Conductor Connector(Female)1
(Any 4-conductor cable of external dia 6mm to be prepared separately.)

[DIMENSIONS]



[CIRCUIT DIAGRAM]

