

TAV2712M

[SPECIFICATIONS] F1.2 DAY&NIGHT LENS

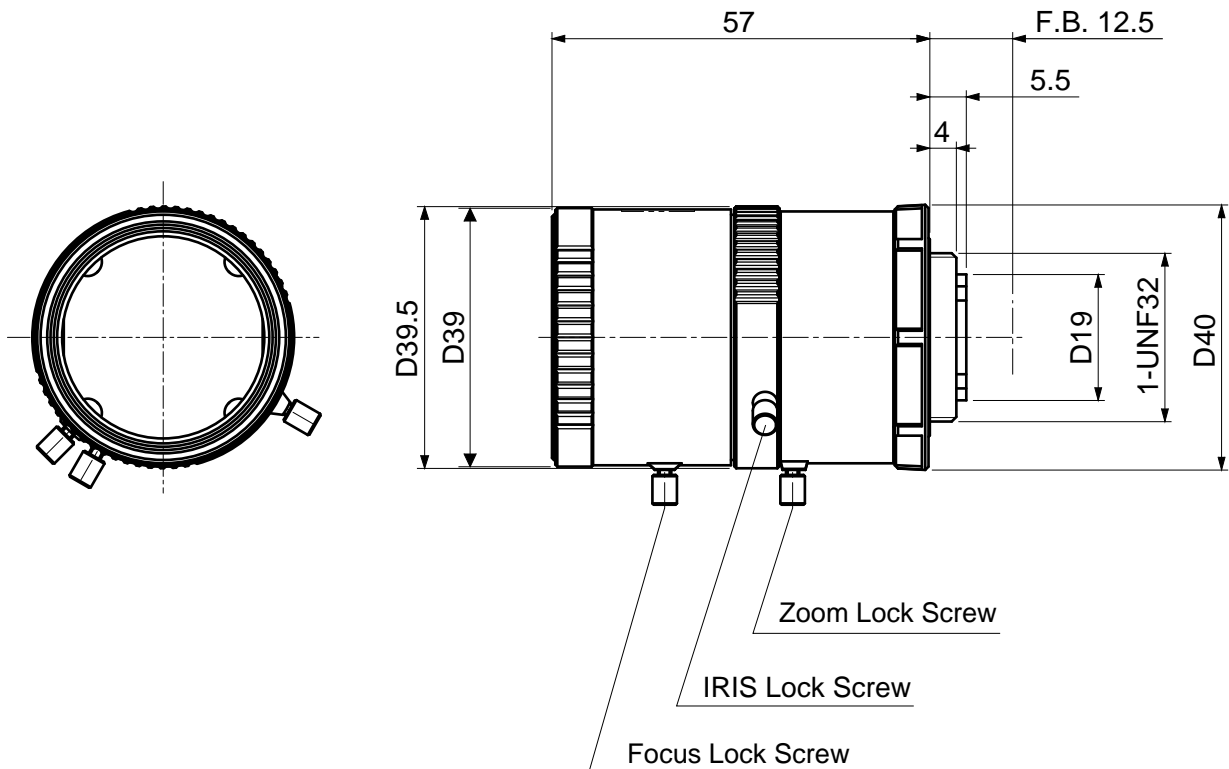
Image Size: $\text{\textcircled{1/3}}$ $\text{\textcircled{1/4}}$

Focal Length :	2.7 - 12mm	Optical Back Focal Distance :	7.13mm(In Air)
Maximum Relative Aperture :	1:1.2	Flange Back :	12.5mm
Iris :	F1.2 - Close	Operation :	Focus : Manual ZOOM : Manual Iris : Manual
Angular Field of View :	97.4 X72.4 deg. at 2.7mm 23.8 X17.8 deg. at 12mm	Operation Temperature :	-10 to +50
Image Format :	4.8X3.6mm(D6mm)	Mount :	CS-Mount
Minimum Object Distance :	0.3m(From Front Vertex)	Size, Weight :	D 39.5x57mm, Approx. 72g

[COMPOSITION]

- Lens 1
- Lens Cap 1
- Dust Cap 1

[DIMENSIONS]



Unit:mm