

TC5018-10MP

1" f=50mm F/1.8 10Megapixel Lens

● SPECIFICATIONS

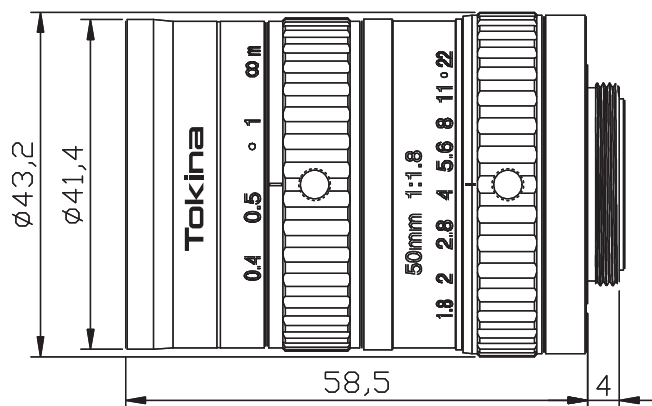
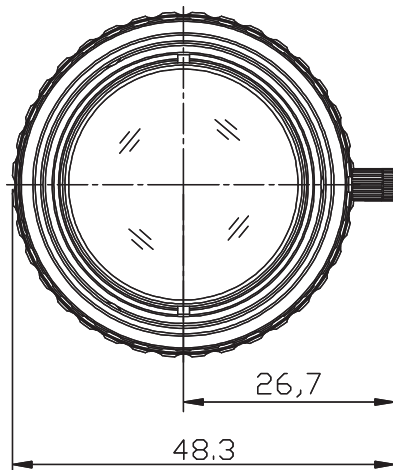
MODEL NUMBER		TC5018-10MP	FILTER SIZE	M37.5 X 0.5
IMAGE FORMAT		1-inch	DIMENSIONS	φ 43.2 x 58.5 mm
FOCAL LENGTH		50 mm	WEIGHT	173 g
MAXIMUM APERTURE		F1:1.8	OPERATING TEMPERATURE	-10 °C ~ +50 °C
APERTURE RANGE		F1.8-22	MOUNT	C-mount
M.O.D.		0.4 m	FLANGE BACK	17.526 mm
ANGLE OF VIEW (at 1 inch)	HORIZONTAL	14.5 °	BACK FOCAL LENGTH	13.63 mm
	VERTICAL	10.8 °		
				10 Megapixel

● DIMENSIONS

Up to 3.4micron

KAI-04050(5.5micron) CMV4000(5.5micron) Anafocus5M(5micron) KAC-06040(4.7micron)

ICX694(4.5micron) ICX814(3.7micron) AR1011HS(3.4micron)



UNIT: mm