

## TC7520-10MP

## 1" f=75mm F/2.0 10Megapixel Lens

### ● SPECIFICATIONS

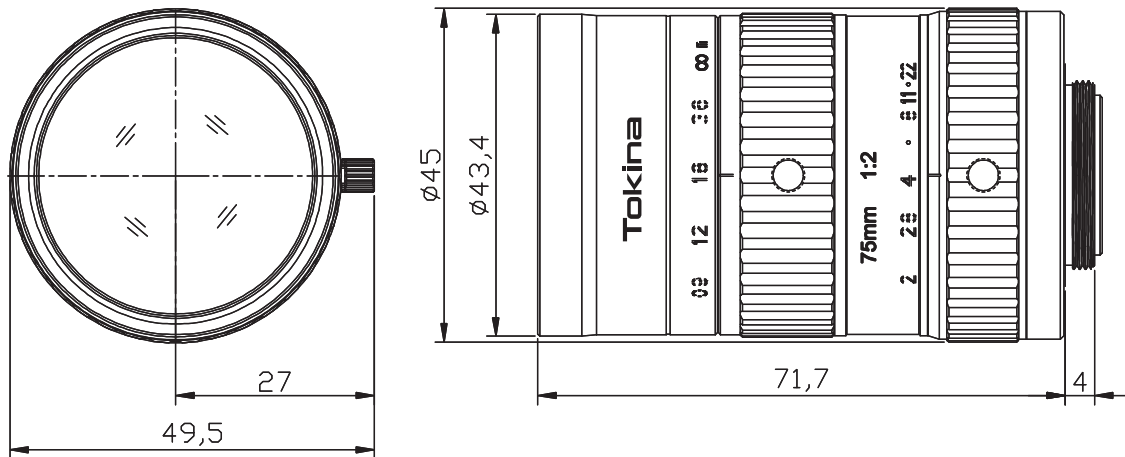
MODEL NUMBER		TC7520-10MP	FILTER SIZE	M40.5 X 0.5
IMAGE FORMAT		1-inch	DIMENSIONS	φ45 x 71.7 mm
FOCAL LENGTH		75 mm	WEIGHT	223 g
MAXIMUM APERTURE		F1:2.0	OPERATING TEMPERATURE	-10 °C ~ +50 °C
APERTURE RANGE		F2.0-22	MOUNT	C-mount
M.O.D.		0.9 m	FLANGE BACK	17.526 mm
ANGLE OF VIEW (at 1 inch)	HORIZONTAL	9.7 °	BACK FOCUAL LENGTH	13.76 mm
	VERTICAL	7.3 °		
				10 Megapixel

### ● DIMENSIONS

Up to 3.4micron

KAI-04050(5.5micron) CMV4000(5.5micron) Anafocus5M(5micron) KAC-06040(4.7micron)

ICX694(4.5micron) ICX814(3.7micron) AR1011HS(3.4micron)



UNIT: mm