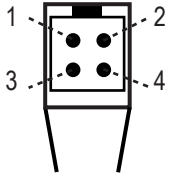


TM20Z1225HDGAIDCPN-IR f=12-240mm F/2.5 2.0Mega pixel IR

● SPECIFICATIONS

MODEL NUMBER		TM20Z1225HDGAIDCPN-IR
IMAGE FORMAT		1/2inch
FOCAL LENGTH		12-240mm
MAXIMUM APERTURE		F1:2.5
APERTURE RANGE		F2.5 - T540 - C
M.O.D.		2.0m
ANGLE OF VIEW (at 1/2inch)	WIDE	29.16° - 22.07°
	TELE	1.56° - 1.17°
FILTER SIZE		M67mm P=0.75
DIMENSIONS		W103xH97.5xL200.5mm
WEIGHT		1,600g
OPERATING TEMPERATURE		-10°C - +50°C
MOUNT		C-mount
IRIS		Auto Iris (DC-Iris)
		1 CONTROL (-)
		2 CONTROL (+)
		3 DRIVE (+)
		4 DRIVE (-)
FOCUS		
	INPUT VOLTAGE	DC +6V to +12V
	CURRENT CONSUMPTION	50mA (120mA: Start-peak)
ZOOM		
	INPUT VOLTAGE	DC +6V to +12V
	CURRENT CONSUMPTION	50mA (120mA: Start-peak)

● CABLE CONNECTIONS

FOCUS

CABLE COLOR	POLARITY	DIRECTION
BLACK	+	Near
RED	-	
BLACK	-	Far
RED	+	

ZOOM

CABLE COLOR	POLARITY	DIRECTION
WHITE	+	Wide
GREEN	-	
GREEN	-	Tele
WHITE	+	

POTENTIOMETER

CABLE COLOR	CONNECTION
ORANGE	FOCUS POT NEAR
BLUE	FOCUS POT WIPER
PURPLE	FOCUS POT FAR
ORANGE	ZOOM POT WIDE
GRAY	ZOOM POT WIPER
PURPLE	ZOOM POT TELE

● DIMENSIONS

