

# TV1634M

**【SPECIFICATIONS】** Fish Eye Vari Focal Lens

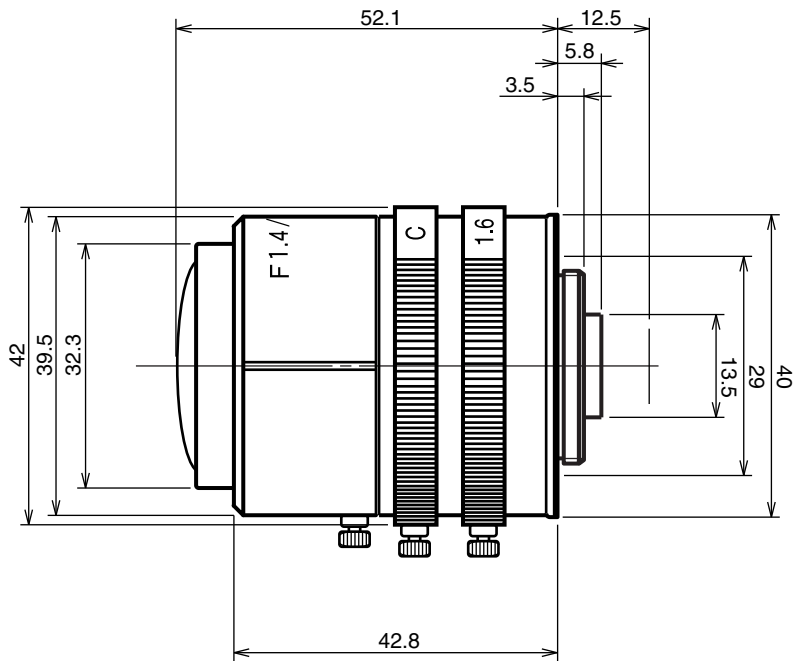
Image Size :  $\frac{1}{3}$   $\frac{1}{4}$

Focal Length :	1.6 ~ 3.4mm	Optical Back Focal Distance :	7.07 ~ 11.55mm ( In Air )
Maximum Relative Aperture :	1:1.4	Flange Back :	12.5mm
Iris :	F1.4 ~ Close	Operation :	Focus : Manual Zoom : Manual Iris : Manual
Zoom Ratio :	2.1X	Operating Temperature :	-10 ~ +45
Angle of View :	180.0 x 114.1 deg. at 1.6mm 84.3 x 55.8 deg. at 3.4mm	Mount :	CS-Mount
Image Size :	4.8 x 3.6mm ( 6mm )	Size :	42.0 x 52.1mm
Minimum Object Distance :	0.2m ( From Front Vertex )	Weight :	Approx .98 g

**【COMPOSITION】**

- Lens . . . . . 1
- Lens Cap . . . . . 1
- Dust Cap . . . . . 1

**【DIMENSIONS】**



Unit:mm