

TVR1020HDIR

► SPECIFICATIONS

| | | | |
|---------------------------|-----------------------------------|-----------------------|---------------------|
| Format size | 1/1.8inch (ϕ 9mm:7.2x5.4mm) | Operation | |
| Focal Length | 10-50mm | Zoom | Manual |
| Maximum Relative Aperture | 1: 2.0 | Focus | Manual |
| Iris | 2.0 - 78 | Iris | Manual |
| Zoom Ratio | 5x | Operation Temperature | -10°C ~ +50°C |
| Field of View | 40.53° x30.20° (10mm) | Mount | C-Mount |
| | 8.49° x6.37° (50mm) | Size | ϕ 50x57x87.5mm |
| M.O.D. | 0.3m -1.0m | Weight | 250g |
| Flange Back | 17.526mm | | |
| Back Focal Length | 9.4-11.6mm | | |
| | | | |

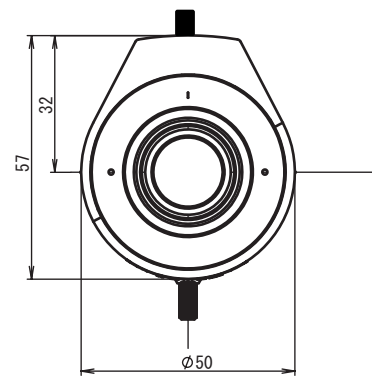
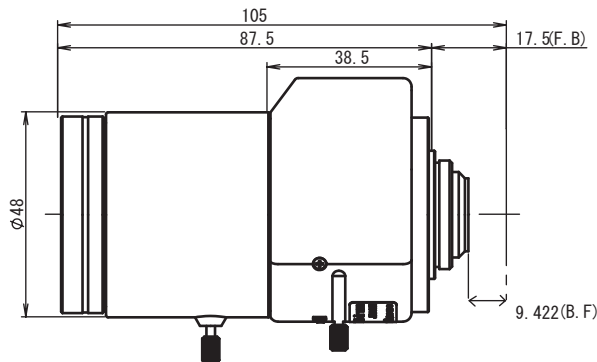
► FEATURES

 3.0Mega Pixel

 IR-Correction Day/Night

 Non F-Drop

► DIMENSIONS



Unit:mm