

TVR1426HDP-IR

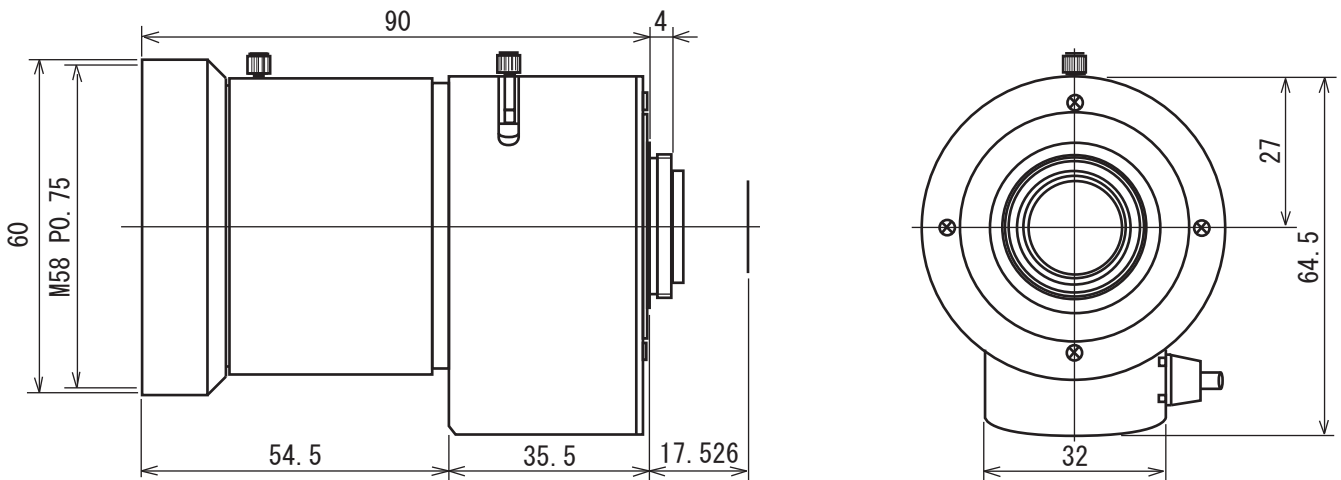
1" f=14-50mm F2.6 P-Iris

8.0Megapixel IR Lens

● SPECIFICATIONS

MODEL NUMBER		14-50mm F2.6 P-Iris	FILTER SIZE	M58 P=0.75
IMAGE FORMAT		1 inch (Φ 16.8mm)	DIMENSIONS	φ 60 x 90mm
FOCAL LENGTH		14-50 mm	WEIGHT	390g
MAXIMUM APERTURE		F1:2.6 (No Ramping)	OPERATING TEMPERATURE	-10°C - +50°C
APERTURE RANGE		F2.6-16	MOUNT	C-mount
M.O.D.		1.2 m	FLANGE BACK	17.526mm
ANGLE OF VIEW (at 1 inch)	HORIZONTAL	50.5° --- 14.5°	BACK FOCAL LENGTH	13.995mm
	VERTICAL	38.0° --- 11.1°	IRIS OPERATION	P-IRIS

● DIMENSIONS



UNIT: mm

● Pin Assignment on P-iris Connector

Pin NO.	STEP	1	2	3	4
	PHASE				
1	A	H	L	L	H
2	\overline{A}	L	H	H	L
3	B	H	H	L	L
4	\overline{B}	L	L	H	H