

TVR4518HDDCIR

► SPECIFICATIONS

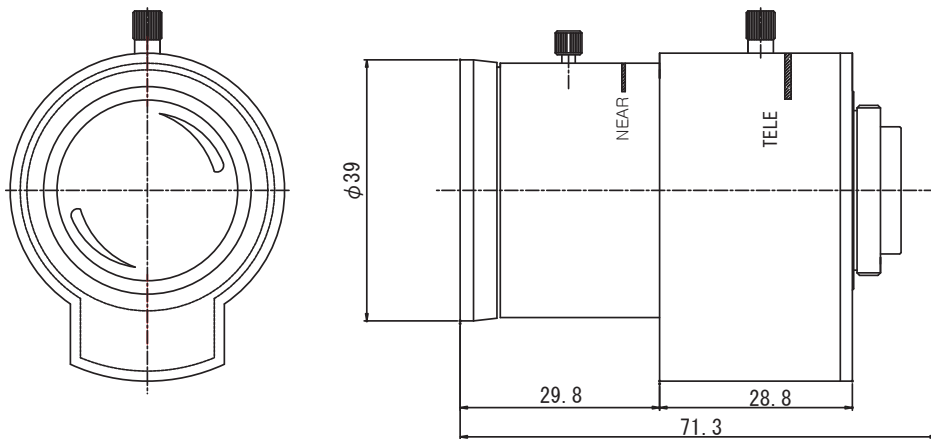
Format size	1/2inch (ϕ 8mm)	Operation	
Focal Length	4.5-13mm	Zoom	Manual
Maximum Relative Aperture	1: 1.8	Focus	Manual
Iris	1.8-360	Iris	DC-Iris
Zoom Ratio	2.9x	Operation Temperature	-10°C ~ +50°C
Field of View	90.3° x66.6° (4.5mm)	Mount	CS-Mount
	31.2° x24.0° (13mm)	Size, Weight	ϕ 39.0x58.6mm, 137g
M.O.D.	0.5m (4.5mm)		
Flange Back	12.5mm		
Back Focal Length	6.67mm		

► FEATURES

 5.0Mega Pixel

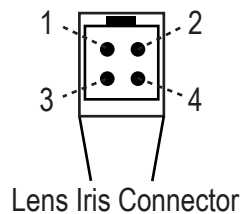
 IR-Correction Day/Night

► DIMENSIONS



Unit:mm

► WIRING



1	Control -
2	Control +
3	Drive +
4	Drive -