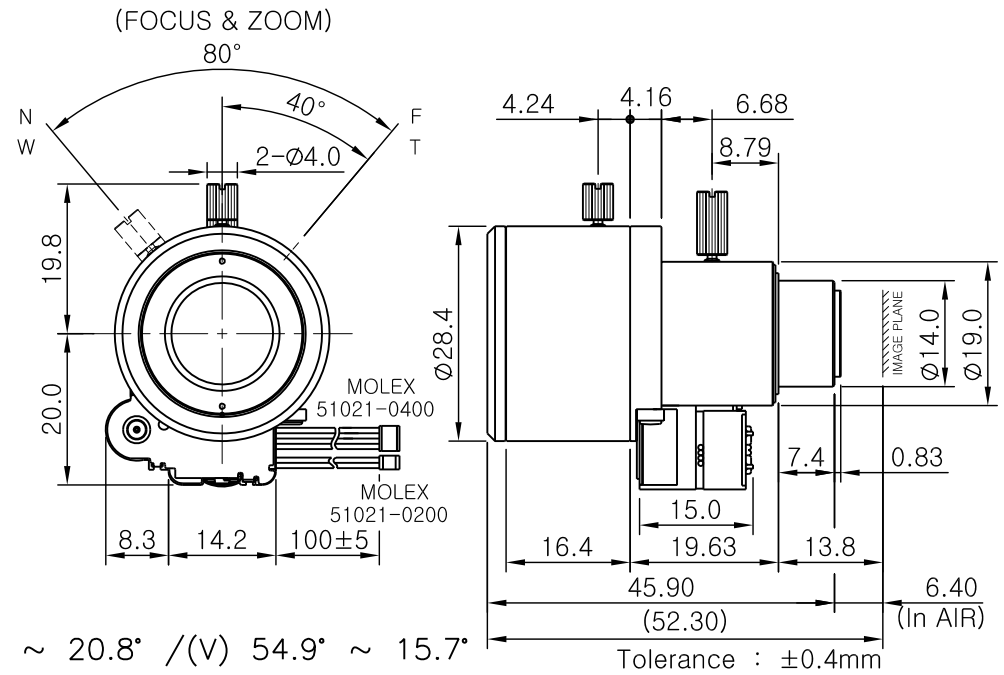


SPECIFICATION

MODEL : VIR36160 MASDN1-P-Ø14

1. Focal Length : 3.6 ~ 16.0 mm
2. Back Focal Length : 6.15 ~ 16.11 mm
3. Optical Distortion : 1/3" -35.64 ~ -1.87%
1/4" -17.71 ~ -1.03%
4. Aperture Ratio : 1.2 ~ ∞
5. Max. Image Format : 4.90 x 3.69 mm (Ø6.13mm)
6. Operation : Iris / Auto Iris , Focus / Manual
7. Angle of View : (1/3" CCD) (D)100.0° ~ 26.1° /(H)75.4° ~ 20.8° /(V) 54.9° ~ 15.7°
(1/4" CCD) (D)69.4° ~ 19.4° /(H)54.2° ~ 15.5° /(V) 39.9° ~ 11.6°
8. Lens Construction : 8 Components 8 Elements



Tolerance : ±0.4mm

IRIS MOTOR PIN NUMBER

1	WHITE	+	CONTROL	3.5V~5V
2	BLACK	-	COIL (850Ω)	/20°C
3	RED	+	DRIVE	3.5V~5V
4	GREEN	-	COIL (190Ω)	/20°C

IR CUT MOTOR PIN NUMBER

1	YELLOW	±	DRIVE	IR Cut Filter IN→OUT 3.5V~5V OUT→IN -5V~-3.5V
2	BROWN	±	COIL (190Ω)	

DAIWON OPTICAL CO., LTD.