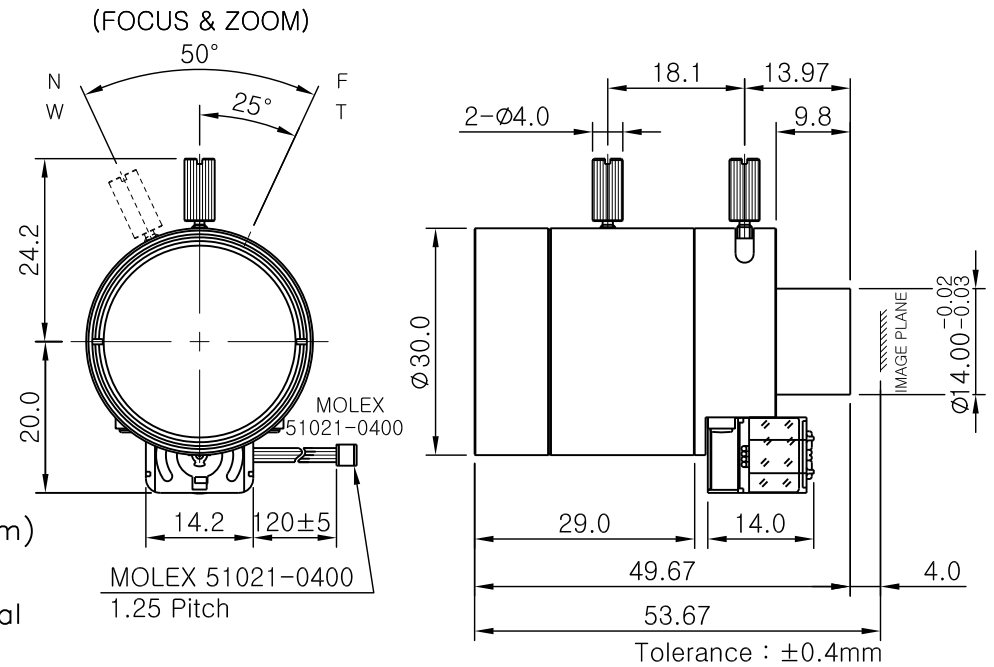


# SPECIFICATION

MODEL : VIR50500 ASDS-P- Ø14

1. Focal Length : 5 ~ 50 mm
2. Back Focal Length : 5.81 ~ 9.25 mm
3. Distortion : (1/3" CCD) -13.6% ~ +2.5%  
(1/4" CCD) -7.3% ~ +1.4%
4. Aperture Ratio : 1.4 ~ 360 (1.4 ~ 1.9)
5. Max. Image Format : 4.90 x 3.69 mm (ø6.13mm)
6. Operation : Iris / Auto(DC Type), Focus / Manual
7. Angle of View : (1/3" CCD) 65.3°~8.1°(D)/51.5°~6.5°(H)/38.5°~5.0°(V)  
(1/4" CCD) 47.8°~6.1°(D)/38.0°~4.9°(H)/28.4°~3.7°(V)
8. Lens Construction : 9 Components 11 Elements  
(Contained 1Glass Aspherical Lens Element)



IRIS MOTOR PIN NUMBER

1	WHITE	+	CONTROL	3.5V-5V
2	BLACK	-	COIL (850Ω)	/20°C
3	RED	+	DRIVE	3.5V-5V
4	GREEN	-	COIL (190Ω)	/20°C

DAIWON OPTICAL CO., LTD.