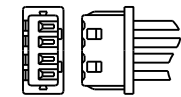
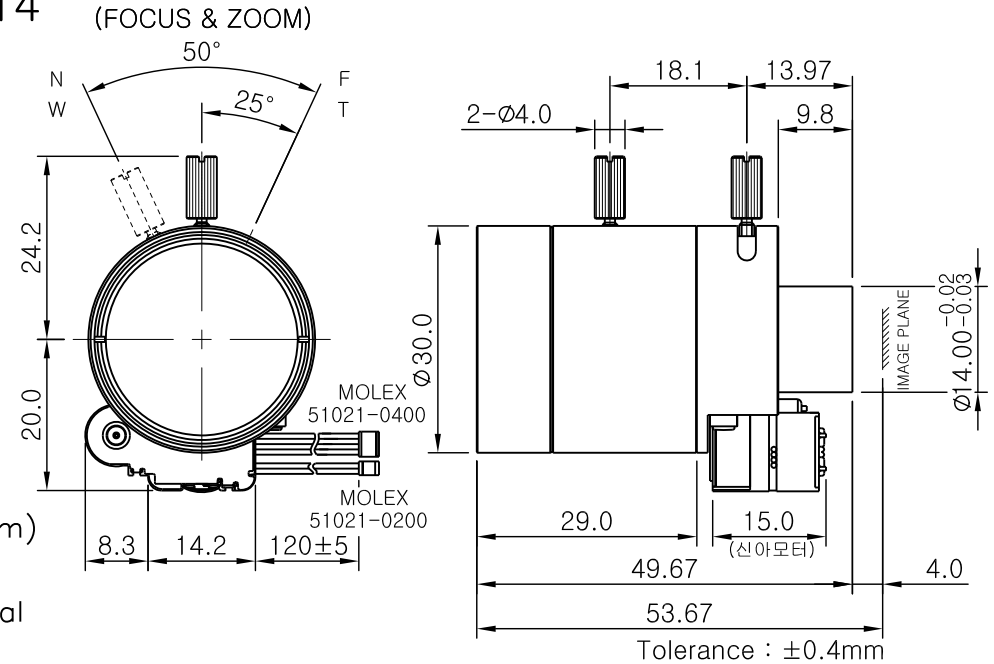


SPECIFICATION

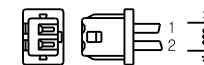
MODEL : VIR50500 ASDN1S-P- Ø14

1. Focal Length : 5 ~ 50 mm
2. Back Focal Length : 5.81 ~ 9.25 mm
3. Distortion : (1/3" CCD) -13.6% ~ +2.5%
(1/4" CCD) -7.3% ~ +1.4%
4. Aperture Ratio : 1.4 ~ 360 (1.4 ~ 1.9)
5. Max. Image Format : 4.90 x 3.69 mm (ø6.13mm)
6. Operation : Iris / Auto(DC Type), Focus / Manual
7. Angle of View : (1/3" CCD) 65.3°~8.1°(D)/51.5°~6.5°(H)/38.5°~5.0°(V)
(1/4" CCD) 47.8°~6.1°(D)/38.0°~4.9°(H)/28.4°~3.7°(V)
8. Lens Construction : 9 Components 11 Elements
(Contained 1 Glass Aspherical Lens Element)



IRIS MOTOR PIN NUMBER

1	WHITE	+	CONTROL	3.5V~5V
2	BLACK	-	COIL (465Ω)	/20°C
3	GREEN	-	DRIVE	3.5V~5V
4	RED	+	COIL (190Ω)	/20°C



IR CUT MOTOR PIN NUMBER

1	YELLOW	±	DRIVE	IR Cut Filter IN→OUT 3.5V~5V OUT→IN -5V~-3.5V
2	BROWN	±	COIL (190Ω)	

DAIWON OPTICAL CO., LTD.