

H62Z1235PDC-MPIR-EX

62X 12.5-775mm F3.5 (with 2X Extender 25-1550mm F7.0)
 for 1/2 type Cameras, Motorized Zoom
 C-Mount, Megapixel, Preset (Focus & Zoom)
 Fog through filter (when select 850nm, 880nm, 950nm)
 IR Lamp focus adjustment (For 850nm, 880nm, 950nm)

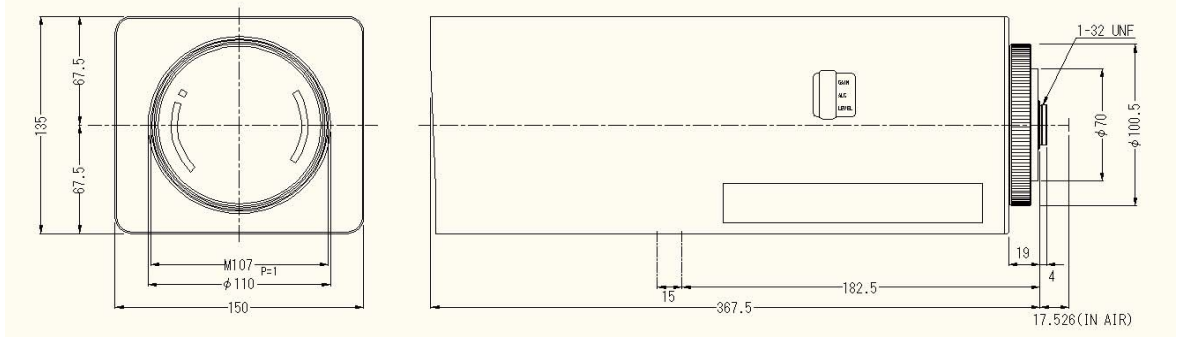
with DC Auto Iris

Model No.	H62Z1235PDC-MPIR-EX		Effective	Front	φ98.5mm		
Focal Length	12.5mm - 775mm (25mm-1550mm)		Lens Aperture	Rear	φ17.5mm		
Max. Aperture Ratio	1:3.5		Back Focal Length	42.29mm			
Max. Image Format	6.4mm x 4.8mm (φ8mm)		Flange Back Length	17.53mm			
Operation Range	Iris	F3.5 - Close	Mount	C-Mount			
	Focus	5.0m - Inf.	Filter Size	M107 P=1.0mm			
	Zoom	12.5mm - 775mm	Tripod Screw	1/4 -20UNC X 2			
Control	Iris	DC Auto Iris	Dimensions	W150mm x H135mm x D367.5mm			
	Focus	Motorized	Weight	6000g			
	Zoom	Motorized					
Object Dimension at M.O.D.	12.5mm	245.4cm X 184.2cm					
	775mm	3.94cm X 2.96cm					
Angle of View	D	1/2 type	35.47° - 0.58°	1/3 type	27.06° - 0.44°	1/4 type	20.44° - 0.33°
	H		28.77° - 0.47°		21.78° - 0.35°		16.41° - 0.26°
	V		21.78° - 0.35°		16.41° - 0.26°		12.34° - 0.20°
Supply Voltage	-		DC6-12V	DC6-12V			
Current	-		60mA or less	60mA or less			
Response Time	-		Approx. 7.5 sec. (when 10V input)	Approx. 8.5 sec. (when 10V input)			
Preset Potentiometer	-		10KΩ VR	10KΩ VR			
Coil	Drive	190Ω					
	Control	1000Ω					
Operating Temperature	-10°C - +50°C						

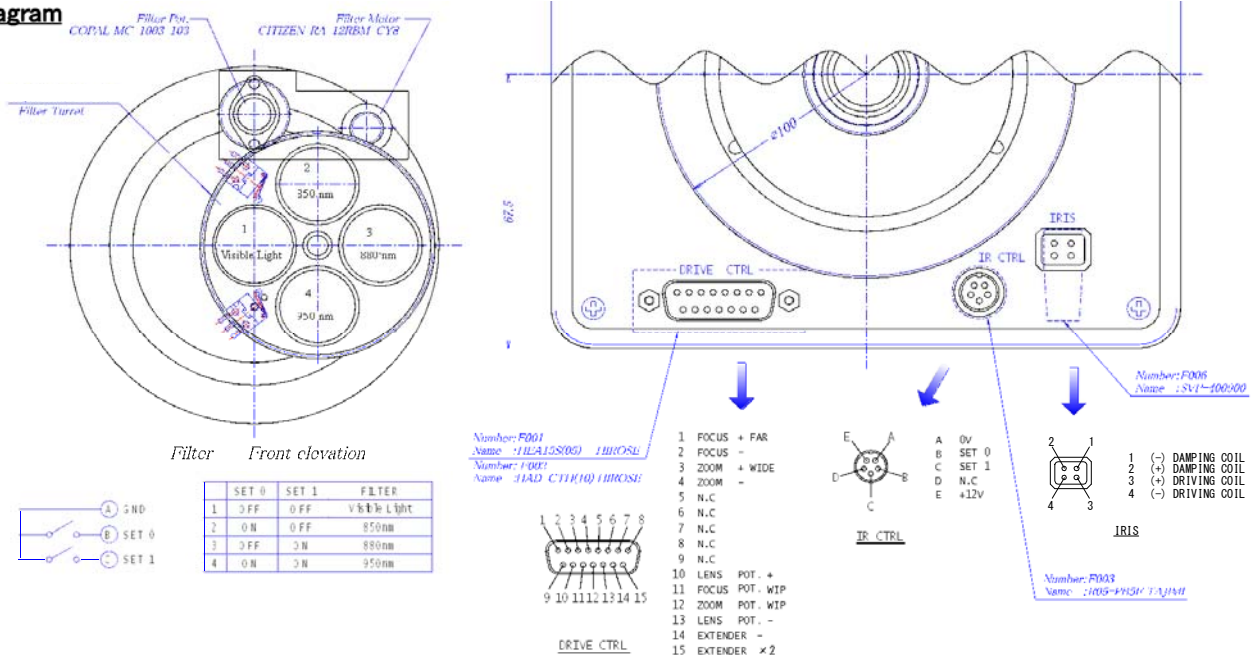
1/2 type

C

Dimensions



Wiring Diagram



Specification is subject to change without any notice.