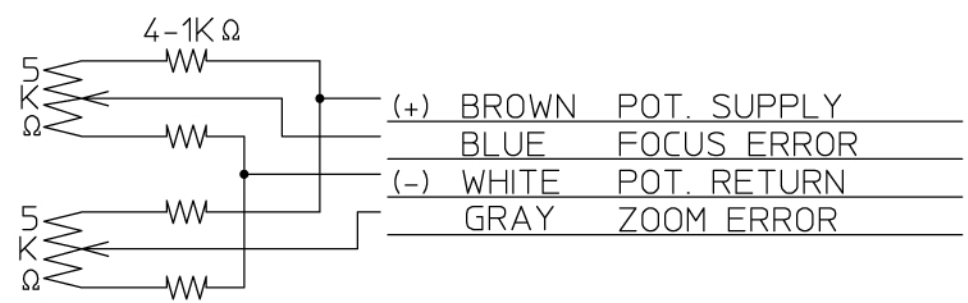


① IRIS CABLE (+) RED INPUT VOLTAGE
 (-) BLACK GROUND
 WHITE VIDEO SIGNAL
 GREEN REMOTE CONTROL

② MOTOR CABLE (+) GREEN FOCUS NEAR
 (+) BLACK FOCUS FAR
 (+) YELLOW TELE
 (+) RED WIDE

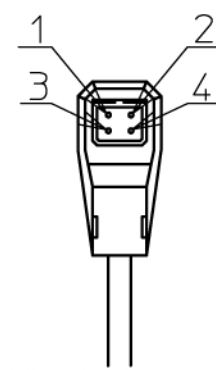


SPECIFICATION

1. USE	FOR 1/2" COLOR ,B/W CAMERA
2. FOCAL LENGTH	f=8~120mm
3. IRIS RANGE	F= 1.8 ~ 360
4. IMAGE SIZE	φ 8 (6.4 x 4.8)
5. BACK FOCAL LENGTH	14.9 mm in air
6. FLANGE FOCAL LENGTH	17.526 mm in air
7. FOCUS RANGE	∞ ~ 1.5 m
8. FIELD ANGLE	DIA. (W) 52.9° (T) 3.8° HOL. 43.2° 3.1° VER. 32.8° 2.3°
9. DISTORTION (TV)	-0.7 % 1.1 %
10. LENS CONSTRUCTION	15 GROUPS 18 ELEMENTS
11. CLEAR APERTURE	FRONT φ 54 REAR φ 12.5
12. WEIGHT	Kg

DC (DIRECT CONTROL)

DRIVE COIL	RESISTOR COLOR	190Ω (20°C) RED(+) 3pin BLACK 4pin
BRAKE COIL	RESISTOR COLOR	1150Ω (20°C) YELLOW(+) 2pin GREEN 1pin
DRIVE VOLT.	OPEN CLOSE	LESS THAN +4V OVER THAN 0V W/CLOSING SPRING



品名 1/2" 1.8/8-120mm
 部部 LMZ0812AMPDC-IR