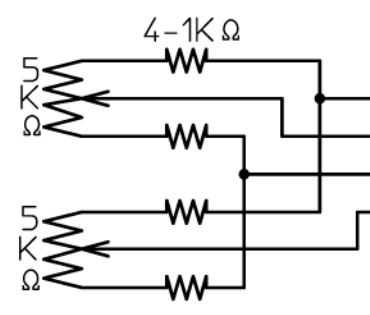


① IRIS CABLE

DC (DIRECT CONTROL)			
DRIVE COIL	RESISTOR	190 Ω (20°C)	
	COLOR	RED(+)	BLACK
BRAKE COIL	RESISTOR	1150 Ω (20°C)	
	COLOR	YELLOW(+)	GREEN
DRIVE VOLT.	OPEN	LESS THAN +4V	
	CLOSE	OVER THAN 0V W/CLOSING SPRING	

② MOTOR CABLE

(+) GREEN	FOCUS NEAR
(+) BLACK	FOCUS FAR
(+) YELLOW	ZOOM IN
(+) RED	ZOOM OUT



(+) BROWN	POT. SUPPLY
BLUE	FOCUS WIPER
(-) WHITE	POT. RETURN
GRAY	ZOOM WIPER

SPECIFICATION

1. USE	FOR 1/2" COLOR ,B/W CAMERA		
2. FOCAL LENGTH	f= 12 ~ 300 mm		
3. IRIS MAX APERTURE	F=W 1.8 T 2.6		
4. IRIS RANGE	F=1.8~1000		
5. IMAGE SIZE	φ 8 (6.4 x 4.8)		
6. BACK FOCAL LENGTH	15.84	mm	in air
7. FLANGE FOCAL LENGTH	17.526	mm	in air
8. FOCUS RANGE	∞ ~ 2.5 m		
FIELD ANGLE	DIA.	(W) 36.5 °	(T) 1.54 °
	HOL.	29.4 °	1.24 °
9.	VER.	22.2 °	0.93 °
	FIELD OF VIEW AT M.O.D.	DIA.	mm mm
10.	HOL.	mm	mm
	VER.	mm	mm
11. DISTORTION TV	-0.47 %	0.28 %	
12. CLEAR APERTURE	FRONT φ108	REAR φ14.5	
13. EXIT PUPIL POSITION	1.5E+05 mm (format)		
14. WEIGHT	2.5kg		

MOTOR

INPUT VOLT	DC 6V~12V
ZOOM SPEED	approx 14sec/DC8V
ZOOM CURRENT	max 25mA/DC8
FOCUS SPEED	approx 12sec/DC8V
FOCUS CURRENT	max 25mA/DC8
OPERATE TEMPT	-10~+50°C



品名	1/2" F1.8/12-300mm NEW IRIS
	LMZ123AMP
	LMZ123AMPDC
部番	