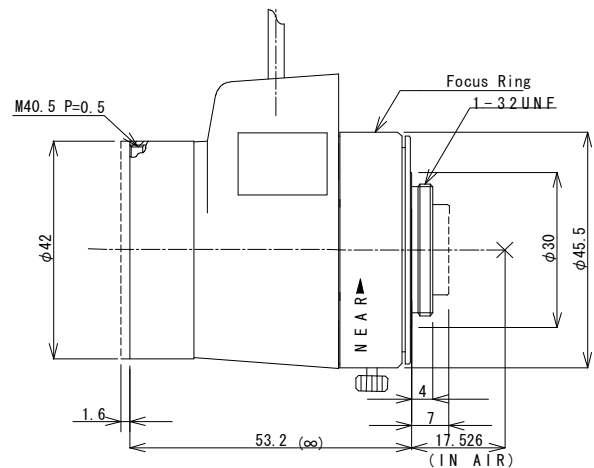
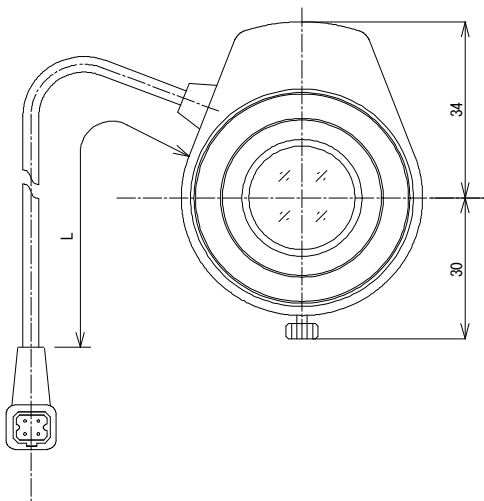


MG3518KC-MPIR

**f=35mm F1.8 Day & Night
for 2/3 type 5 Megapixel Cameras, Fixed-focal, Stepping Motor Iris
C-Mount**

Model No.	MG3518KC-MPIR		Effective	Front	ϕ 19.8mm		
Focal Length	35mm		Lens Aperture	Rear	ϕ 12.1mm		
Max. Aperture Ratio	1:1.8		Back Focal Length		14.3mm		
Max. Image Format	11.3mm x 6.0mm(ϕ 12.8mm)		Flange Back Length		17.526mm		
Operation Range	Iris	F1.8 - F16C		Mount	C-Mount		
	Focus	1m - Inf.		Filter Size	M40.5 \times 0.5		
	Zoom	-		Dimensions	ϕ 42mm \times 56.8mm \times 53.2 mm		
Control	Iris	Stepping Motor		Weight	123 g		
	Focus	Manual					
	Zoom	-					
Angle of View	D	2/3 type	17.4°	1/2 type	12.7°	1/3 type	9.5°
	H		13.9°		10.2°		7.6°
	V		10.5°		7.6°		5.7°
Operating Temperature	-10°C - +50°C		CMV2000	D	20.0°		
			11.264 \times 5.984	H	17.8°		
			(ϕ 12.75)	V	9.5°		

Dimensions



Wiring Diagram

