

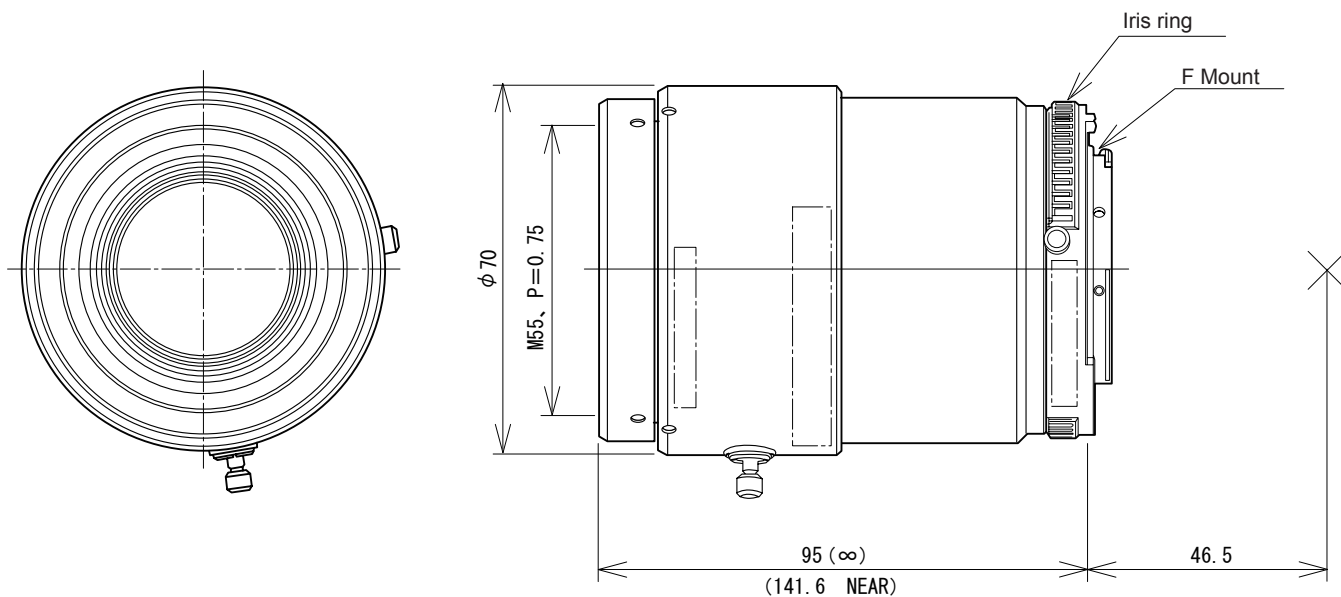
## TFM-100

## f=100mm F/2.8 Line Scan lenses

### ● SPECIFICATIONS

MODEL NUMBER		TFM-100	FILTER SIZE	M55X0.75
IMAGE FORMAT		φ 43mm	DIMENSIONS	φ 70X95mm
FOCAL LENGTH		100mm	WEIGHT	514g
MAXIMUM APERTURE		F1:2.8	OPERATING TEMPERATURE	-20°C +50°C
APERTURE RANGE		F2.8-32	MOUNT	F-mount
M.O.D.		0.3 m	FLANGE BACK	46.5mm
ANGLE OF VIEW	HORIZONTAL	24.5 °	BACK FOCUS	44.18mm

### ● DIMENSIONS



UNIT: mm