

High Resolution Vari-Focal Lens

TVR0514DC-IR TVR2713DC-IR TVR0398DC-IR TVR0616DC



SD RoHS

As SD RoHS

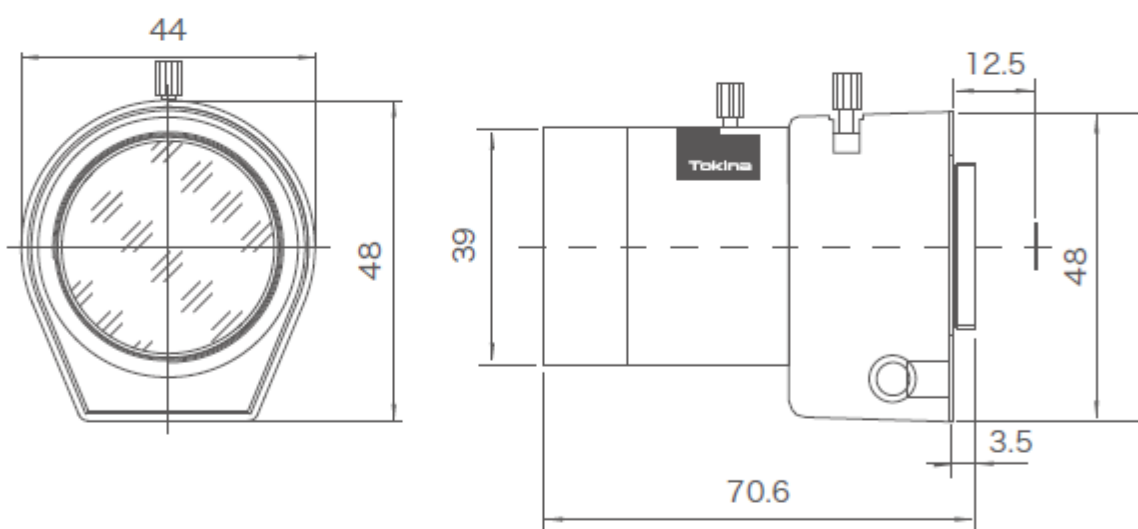
As SD RoHS

RoHS

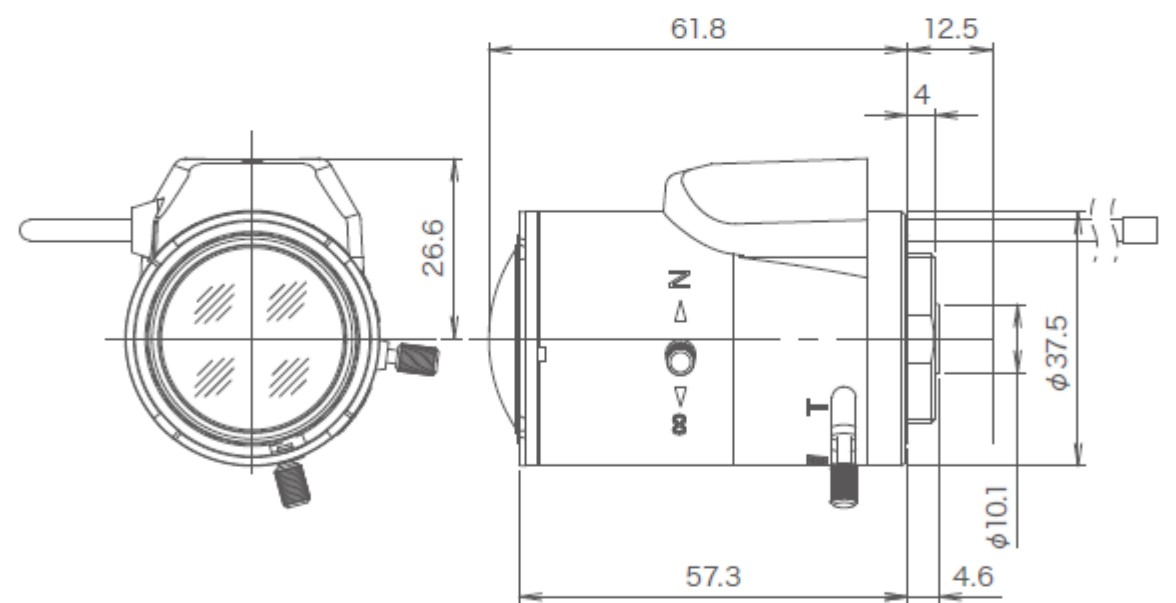
Model Name	TVR0514DC-IR	TVR2713DC-IR	TVR0398DC-IR	TVR0616DC
Image Format	1/3"	1/3"	1/3"	1/3"
Mount	CS	CS	CS	CS
Focal Length	5-50mm	2.7-12mm	3-8.2mm	6-60mm
Aperture Range	F1.4 - 360	F1.3 - 360	F0.98 - 360	F1.6 - 360
Angle of View (Horizontal x Vertical)	Wide	49.2° x 37.1°	98.66° x 74.11°	89.22° x 66.8°
	Tele	5.0° x 3.8°	23.56° x 17.69°	34.47° x 25.85°
M.O.D.	0.5m	0.2m	0.3m	0.1m
Back Focal Length	9.8mm	8.08mm	7.80-15.63mm	12.65-16.09mm
Dimensions (W x H x L)	ø39 x 48 x 70.6mm	ø37.5 x 45.4 x 61.8mm	ø37.5 x 45.4 x 52.2mm	ø37.5 x 45.4 x 74.0mm
Weight	160g	90g	80g	110g
Operating Temperature Range	-10 ~ +50 °C	-10 ~ +45 °C	-10 ~ +50 °C	-10 ~ +50 °C
Operating	Iris	DC Auto Iris	DC Auto Iris	DC Auto Iris
	Focus	Manual	Manual	Manual
	Zoom	Manual	Manual	Manual
Note	IR (Day/Night)	IR (Day/Night)	IR (Day/Night)	-

UNIT : mm

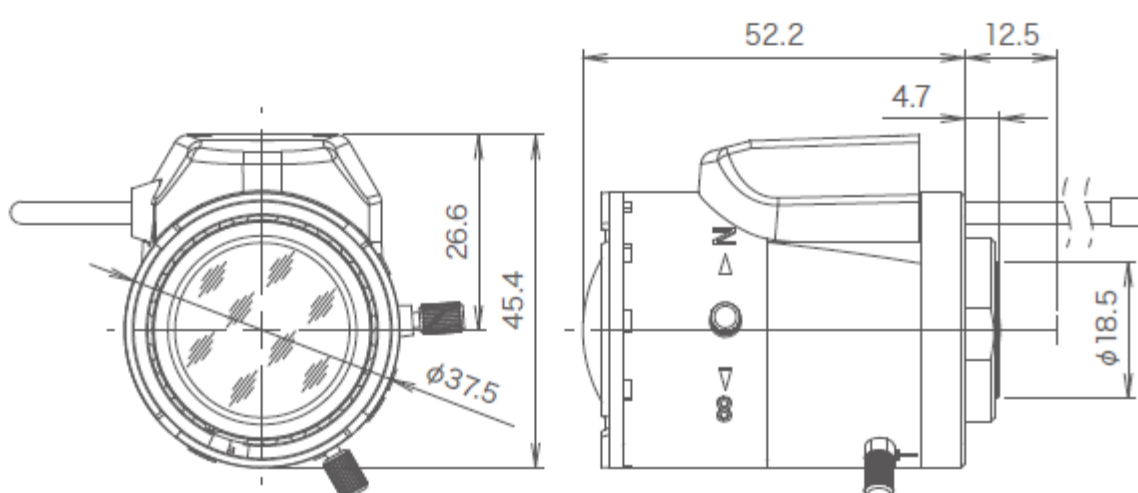
TVR0514DC-IR



TVR2713DC-IR



TVR0398DC-IR



TVR0616DC

