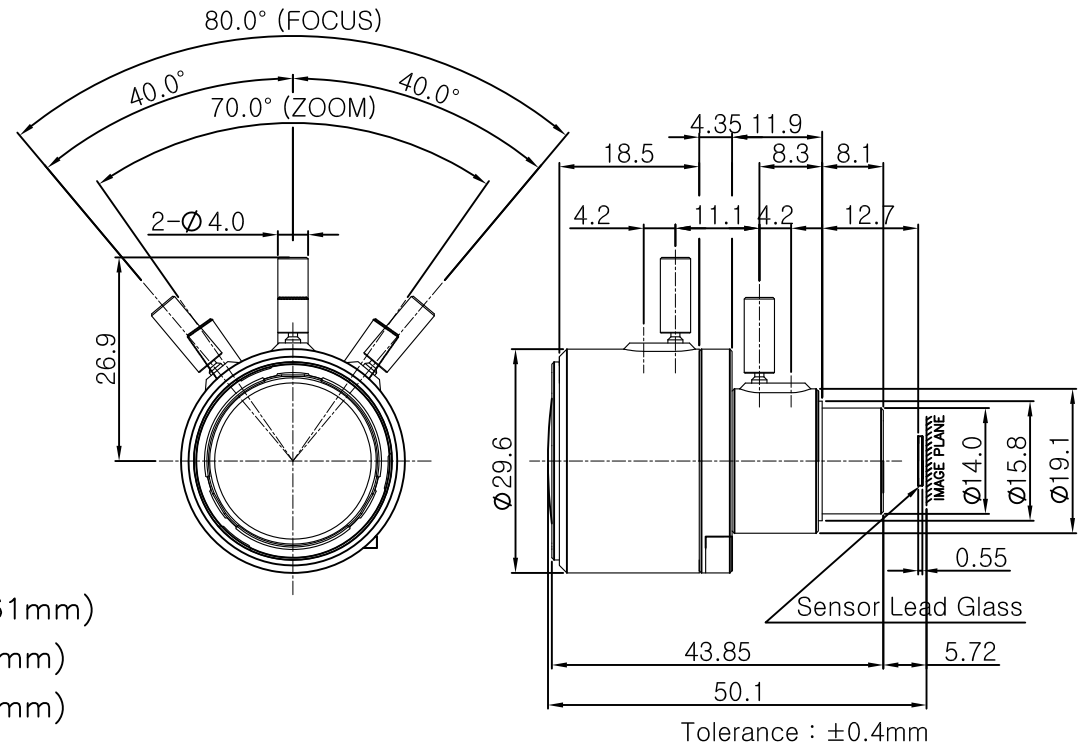


# SPECIFICATION

MODEL : 28110L-2M-P- $\varnothing$ 14  
(2 Mega Pixel)

1. Focal Length : 2.8 ~ 11.0 mm  $\pm$ 5%
2. Back Focal Length : 6.17 ~ 13.93 mm
3. TV Distortion : 1/2.7"CMOS -29.05 ~ -2.24%  
1/3"CCD -18.40 ~ -1.54%  
1/4"CCD -8.90 ~ -0.84%
4. Aperture Ratio : 1.4 (3.0) ~ 360
5. Max. Image Format : 1/2.7"CMOS 5.76(H)X3.24(V)mm ( $\varnothing$ 6.61mm)  
1/3" CCD 4.8(H) X 3.6(V) mm ( $\varnothing$ 6.0mm)  
1/4" CCD 3.6(H) X 2.7(V) mm ( $\varnothing$ 4.5mm)
6. Operation : Iris / Manual Iris , Focus / Manual
7. Angle of View : (1/2.7" CMOS) (D)149.6° ~ 42.7° X (H)120.9° ~ 37.1° X (V)61.4° ~ 20.7°  
(1/3" CCD) (D)128.1° ~ 38.6° X (H)95.8° ~ 30.8° X (V)68.9° ~ 23.0°  
(1/4" CCD) (D)88.67° ~ 28.85° X (H)68.9° ~ 23.0° X (V)50.6° ~ 17.3°
8. Lens Construction : 7 Components 9 Elements



DAIWON OPTICAL CO., LTD.