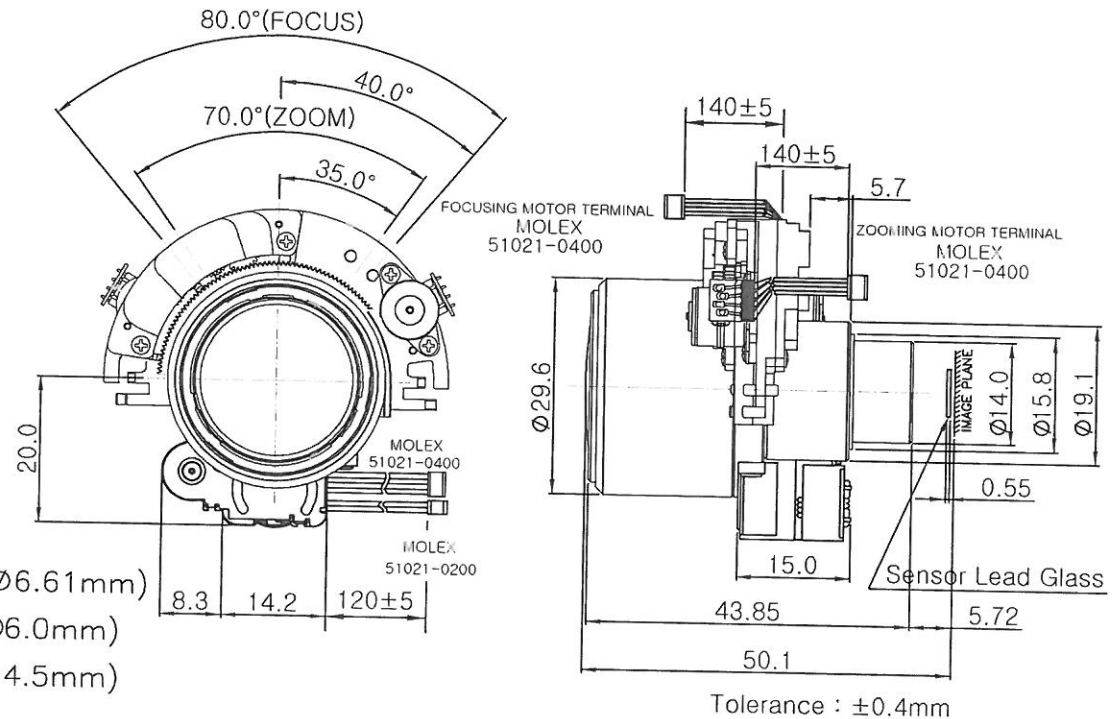


# SPECIFICATION

MODEL : 28110L-2MDNZ-P- $\varnothing$ 14  
(2 Mega Pixel)

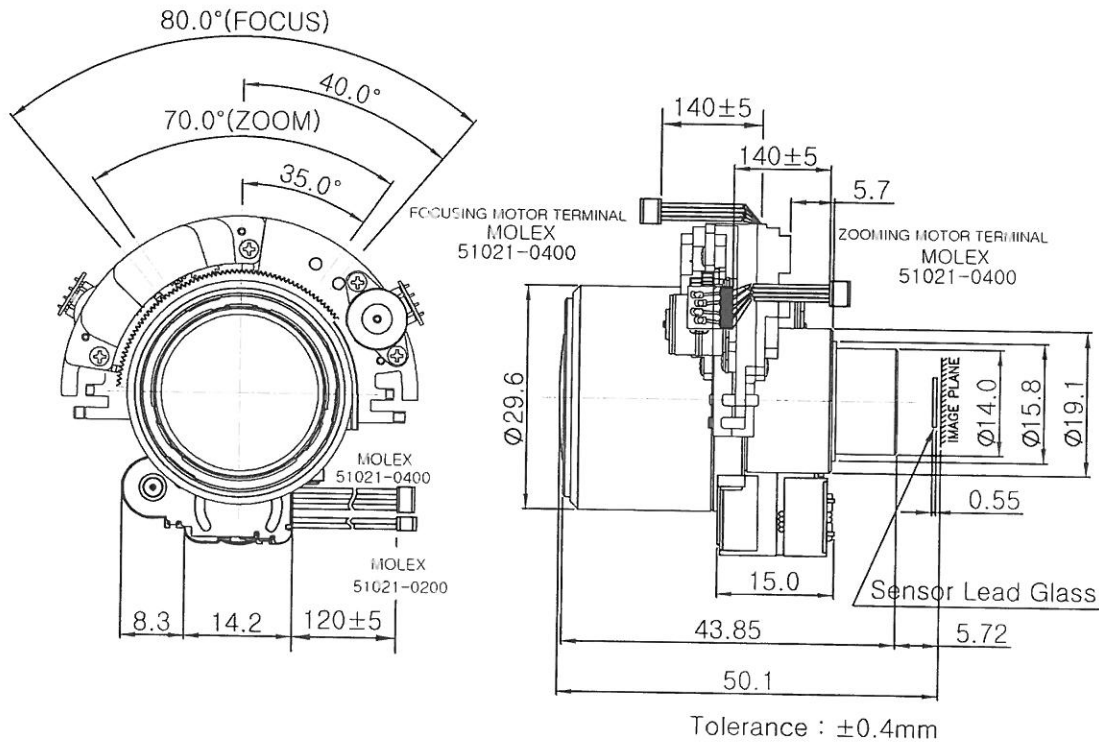
1. Focal Length : 2.8 ~ 11.0 mm  $\pm$ 5%
2. Back Focal Length : 6.17 ~ 13.93 mm
3. TV Distortion : 1/2.7" CMOS -29.05 ~ -2.24%  
1/3" CCD -18.40 ~ -1.54%  
1/4" CCD -8.90 ~ -0.84%
4. Aperture Ratio : 1.4 (3.0) ~ 360
5. Max. Image Format : 1/2.7" CMOS 5.76(H)X3.24(V)mm ( $\varnothing$ 6.61mm)  
1/3" CCD 4.8(H) X 3.6(V) mm ( $\varnothing$ 6.0mm)  
1/4" CCD 3.6(H) X 2.7(V) mm ( $\varnothing$ 4.5mm)
6. Operation : Iris / Auto Iris , Focus & ZOOM / Motorized
7. Angle of View : (1/2.7" CMOS) (D)149.6° ~ 42.7° X (H)120.9° ~ 37.1° X (V)61.4° ~ 20.7°  
(1/3" CCD) (D)128.1° ~ 38.6° X (H)95.8° ~ 30.8° X (V)68.9° ~ 23.0°  
(1/4" CCD) (D)88.67° ~ 28.85° X (H)68.9° ~ 23.0° X (V)50.6° ~ 17.3°
8. Lens Construction : 7 Components 9 Elements



DAIWON OPTICAL CO., LTD.

# SPECIFICATION

MODEL : 28110L-2MDNZ-P-Ø14



FOCUSING MOTOR (4 PIN)

1	RED	COIL (21.0Ω)	3.0V ~ 5.0V	B
2	YELLOW		/-30~+60°C	A
3	ORANGE	COIL (21.0Ω)	3.0V ~ 5.0V	$\bar{B}$
4	BROWN		/-30~+60°C	$\bar{A}$

ZOOMING MOTOR (4 PIN)

1	WHITE	COIL (21.0Ω)	3.0V ~ 5.0V	B
2	BLACK		/-30~+60°C	A
3	GREEN	COIL (21.0Ω)	3.0V ~ 5.0V	$\bar{B}$
4	BLUE		/-30~+60°C	$\bar{A}$

IRIS MOTOR (4 PIN)

1	WHITE	+	CONTROL	3.5V ~ 5V
2	BLACK	-	COIL (465Ω)	/20°C
3	RED	+	DRIVE	3.5V ~ 5V
4	GREEN	-	COIL (190Ω)	/20°C

IR CUT FILTER MOTOR (2 PIN)

1	YELLOW	±	DRIVE COIL (190Ω)	IR Cut Filter
2	BROWN	≠		IN→OUT 3.5V~5V OUT→IN -5V~-3.5V

FOCUSING AND ZOOMING MOTOR  
EXCITING PATTEN OF CLOCKWISE ROTATION

STEP	1	2	3	4
A	+	+	-	-
$\bar{A}$	-	-	+	+
B	-	+	+	-
$\bar{B}$	+	-	-	+

DAIWON OPTICAL CO., LTD.