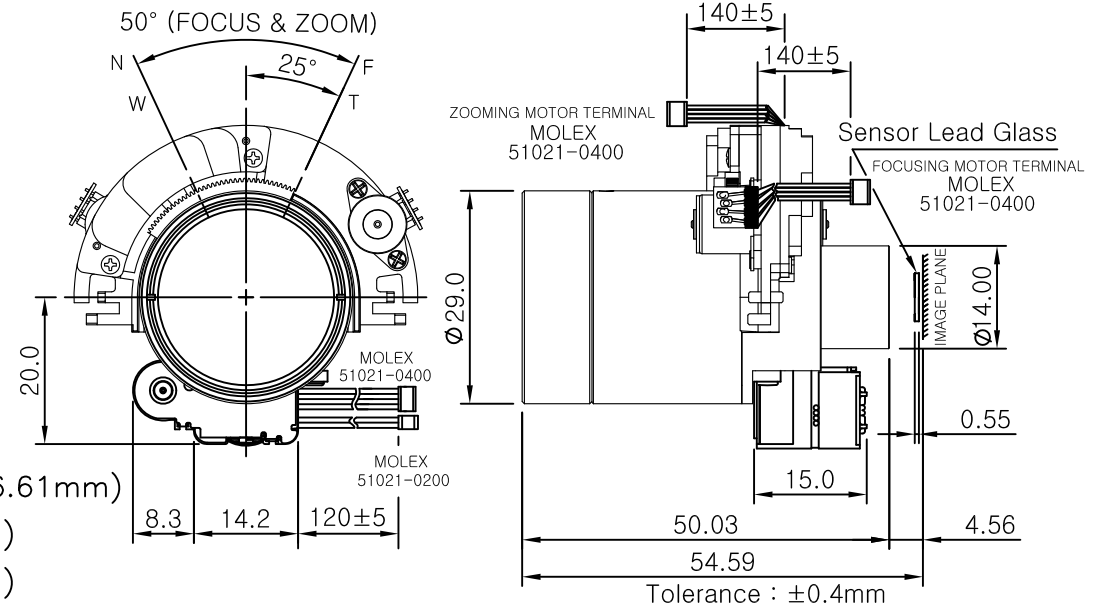


# SPECIFICATION

MODEL : 60500-3MASDNZ-P- $\varnothing$ 14  
(3 Mega Pixel)

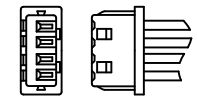
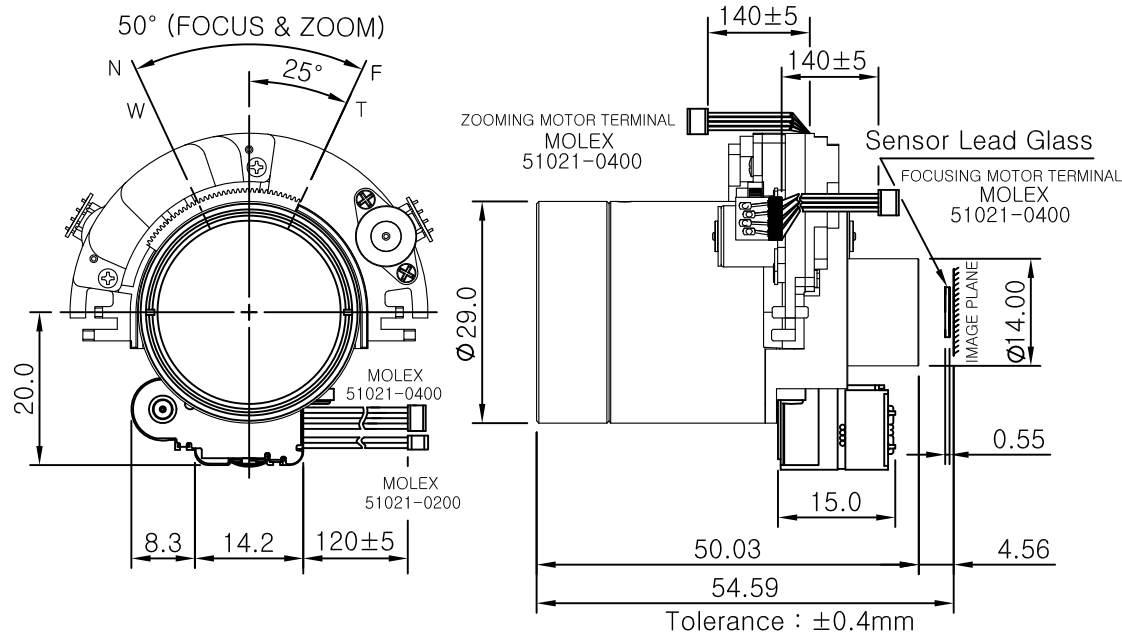
1. Focal Length : 6.0 ~ 50.0 mm  $\pm$ 5%
2. Back Focal Length : 5.63 ~ 5.69 mm
3. TV Distortion : 1/2.7" -7.8 ~ -0.5%  
1/3" -5.2 ~ -0.4%  
1/4" -2.8 ~ -0.2%
4. Aperture Ratio : 1.6 (~1.8 : Tele) ~ 360
5. Max. Image Format : 1/2.7" CMOS 5.76(H) X 3.24(V) mm ( $\varnothing$ 6.61mm)  
1/3" CCD 4.8(H) X 3.6(V) mm ( $\varnothing$ 6.0mm)  
1/4" CCD 3.6(H) X 2.7(V) mm ( $\varnothing$ 4.5mm)
6. Operation : Iris / Auto Iris , Focus&Zoom / motorized
7. Angle of View : (1/2.7" CMOS) (D)65.9° ~ 7.9° X (H)55.8° ~ 6.9° X (V)29.8° ~ 3.9°  
(1/3" CCD) (D)58.5° ~ 7.2° X (H)45.3° ~ 5.7° X (V)33.3° ~ 4.3°  
(1/4" CCD) (D)42.2° ~ 5.4° X (H)33.3° ~ 4.3° X (V)24.7° ~ 3.3°
8. Lens Construction : 8 Components 10 Elements (Including 2 Aspherical Lens Element)



DAIWON OPTICAL CO., LTD.

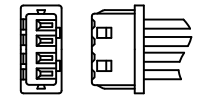
# SPECIFICATION

MODEL : 60500-3MASDNZ-P- $\varnothing$ 14 (3 Mega Pixel)



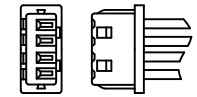
ZOOMING MOTOR (4 PIN)

1	RED	COIL (21.0 $\Omega$ )	3.0V ~ 5.0V /-30~+60°C	B
2	YELLOW			A
3	ORANGE	COIL (21.0 $\Omega$ )	3.0V ~ 5.0V /-30~+60°C	$\bar{B}$
4	BROWN			$\bar{A}$



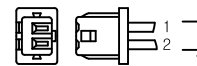
FOCUSING MOTOR (4 PIN)

1	WHITE	COIL (21.0 $\Omega$ )	3.0V ~ 5.0V /-30~+60°C	B
2	BLACK			A
3	GREEN	COIL (21.0 $\Omega$ )	3.0V ~ 5.0V /-30~+60°C	$\bar{B}$
4	BLUE			$\bar{A}$



IRIS MOTOR (4 PIN)

1	WHITE	+	CONTROL	3.5V ~ 5V /20°C
2	BLACK	-	COIL (465 $\Omega$ )	
3	RED	+	DRIVE	3.5V ~ 5V /20°C
4	GREEN	-	COIL (190 $\Omega$ )	



IR CUT FILTER MOTOR (2 PIN)

1	YELLOW	$\pm$	DRIVE COIL (190 $\Omega$ )	IR Cut Filter IN→OUT 3.5V~5V OUT→IN -5V~-3.5V
2	BROWN	$\mp$		

FOCUSING AND ZOOMING MOTOR  
EXCITING PATTEN OF CLOCKWISE ROTATION

STEP	1	2	3	4
A	+	+	-	-
$\bar{A}$	-	-	+	+
B	-	+	+	-
$\bar{B}$	+	-	-	+

DAIWON OPTICAL CO., LTD.