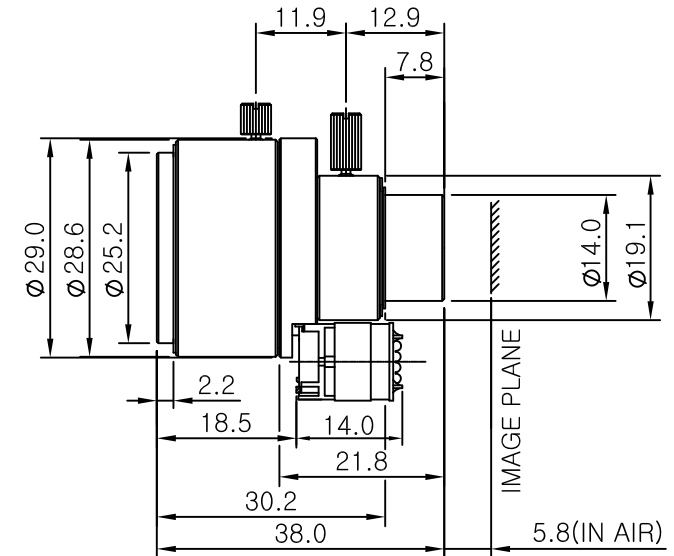
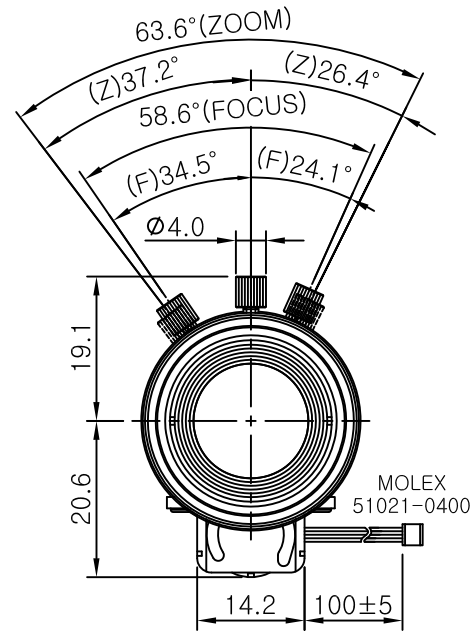


SPECIFICATION

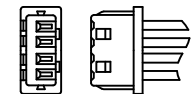
MODEL : DW 4090D-P1-Ø14

1. Focal Length : 4.0 ~ 9.2 mm
2. Back Focal Length : 6.20 ~ 10.19 mm
3. Optical Distortion : -30.9 ~ -3.56%
4. Aperture Ratio : 1.6 ~ 360
5. Max. Image Format : 4.8 x 3.6 mm (Ø6mm)
6. Operation : Iris / Auto Iris , Focus / Manual
7. Angle of View : 1/3" ... (D)92.4° ~ 39.0° / (H)70.9° ~ 31.5° / (V) 51.8° ~ 23.1°
1/4" ... (D)63.7° ~ 29.5° / (H)50.1° ~ 23.7° / (V) 37.1° ~ 18.4°
8. Lens Construction : 6 Components 8 Elements
9. Weight : 20.5g



PIN NUMBER

1	WHITE	+	CONTROL	3.5V~5V
2	BLACK	-	COIL (850Ω)	/20°C
3	RED	+	DRIVE	3.5V~5V
4	GREEN	-	COIL (190Ω)	/20°C



DAIWON OPTICAL CO., LTD.