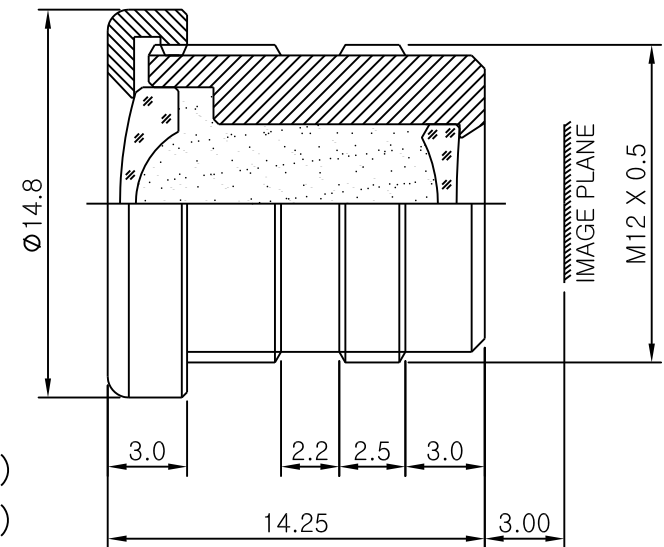


SPECIFICATION

MODEL : DW 9305

1. Sensing Area : 1/3" CCD , 1/4" CCD
2. Focal Length : 4.3mm
3. Back Focal Length : 4.07mm
4. F NO. : 1.8
5. Iris : Fixed
6. Optical Distortion : 1/3" -23.9% , 1/4" -12.0%
7. Angle of View : (1/3" CCD) 78.0°(D), 63.5°(H), 46.8°(V)
(7% Over Scan) (1/4" CCD) 59.0°(D), 46.1°(H), 34.2°(V)
8. Focus Extent : 40cm - ∞
9. Lens Construction : 5 Components 5 Elements
10. Weight : 4.5g



Tolerance : ± 0.4 mm

DAIWON OPTICAL CO., LTD.