

# HZ10250R-2

Image Size:  $\frac{1}{2}$   $\frac{1}{3}$

## [SPECIFICATIONS]

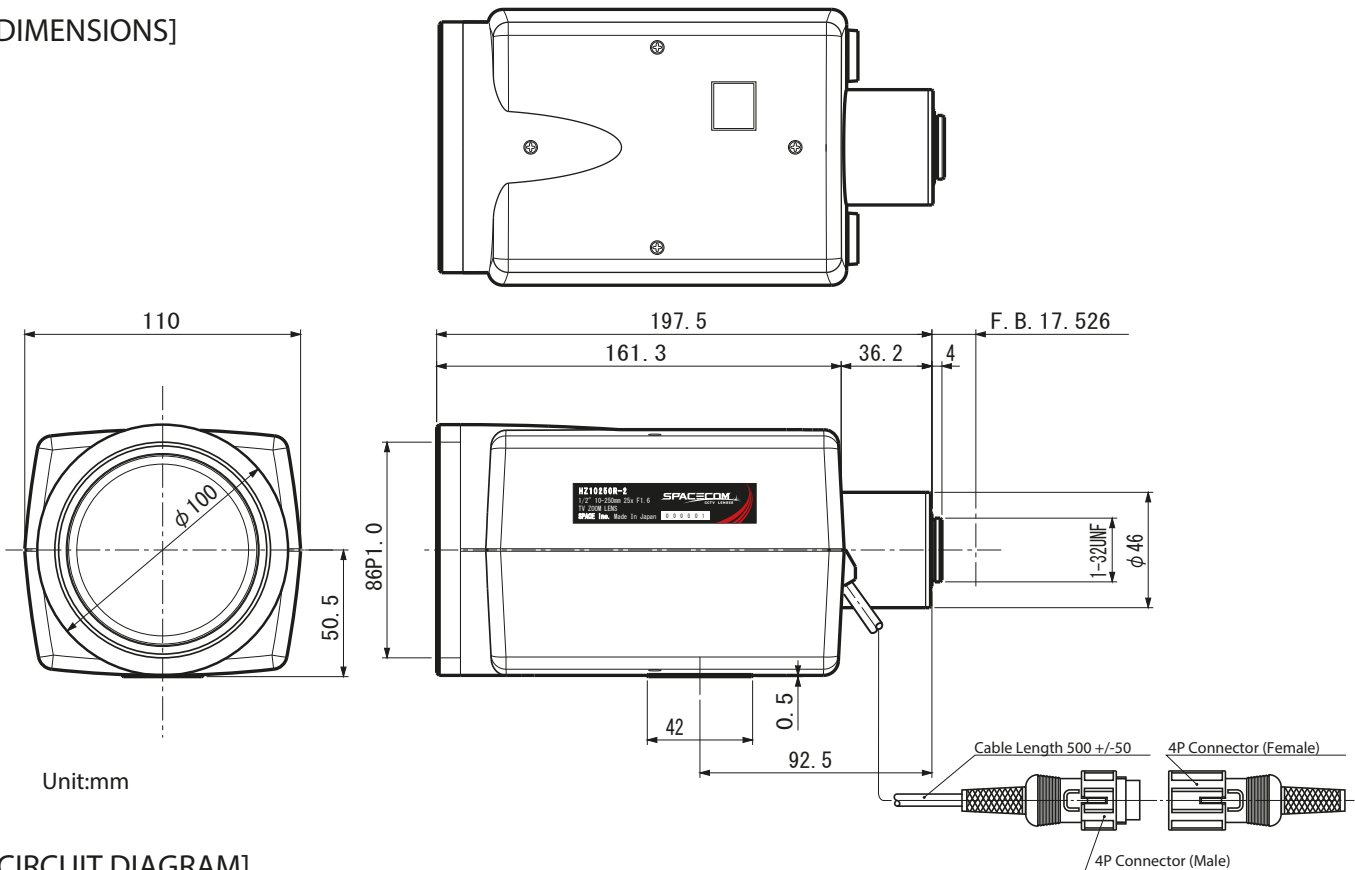
Focal Length :	10 - 250mm	Flange Back :	17.526mm
Maximum Relative Aperture :	1:1.6 (Tele End 1:4.2)	Operation :	Zoom : Motorized(DC+/-6.4V, Max45mA) Speed Approx. 8.0sec.
Iris :	F1.6 - Close	Focus :	Motorized(DC+/-6.4V, Max45mA) Speed Approx. 8.5sec.
Zoom Ratio :	25X	Iris :	Motorized(DC+/-6.4V, Max45mA) Speed Approx. 4.0sec.
Angular Field of View :	37.3 X 27.7 deg. at 10mm 1.5 X 1.1 deg. at 250mm	Operation Temperature :	-10 to +50 ℃
Image Format :	6.4X4.8mm (D8mm)	Mount :	C-Mount(Adjustable Lens Position)
Minimum Object Distance :	2.5m (From Front Vertex)	Front Thread :	86mm P1.0
Optical Back Focal Distance :	18.7mm (In Air)	Size, Weight :	110X100X197.5mm, Approx. 1470g

## [COMPOSITION]

Lens .....1  
Lens Cap .....1  
Dust Cap .....1

4-Conductor Connector(Female) .....1  
(Any 4-conductor cable of external dia 6mm to be prepared separately.)

## [DIMENSIONS]



## [CIRCUIT DIAGRAM]

