

HZ10250RDC-2 4W

Image Size: $\frac{1}{2}$ $\frac{1}{3}$

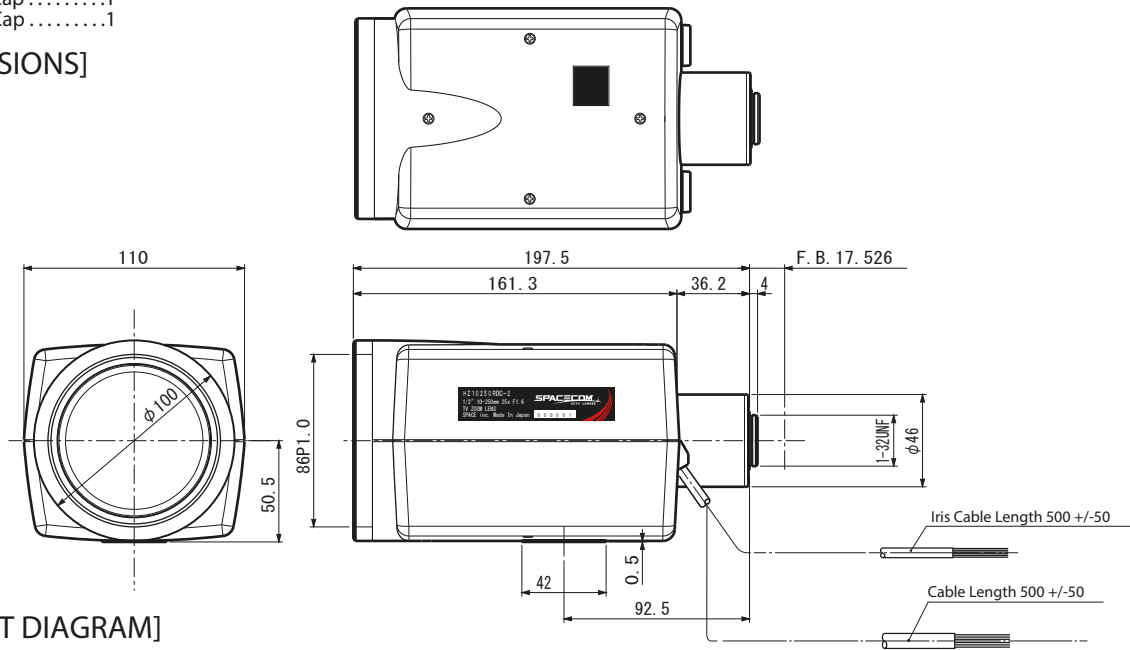
[SPECIFICATIONS]

Focal Length :	10 - 250mm	Operation : Zoom :	Motorized(DC+/-6.4V, Max45mA) Speed Approx. 8.0sec.
Maximum Relative Aperture :	1:1.6	Focus :	Motorized(DC+/-6.4V, Max45mA) Speed Approx. 8.5sec.
Iris :	F1.6 - Approx. 360	Iris :	IG(Auto Close System) Close to Open : Less than 4.0V Open to Close : More than 0.1V
Zoom Ratio :	25X	Operation Temperature :	-10 to +50°C
Angular Field of View :	37.3 X27.7 deg. at 10mm 1.5 X 1.1 deg. at 250mm	Mount :	C-Mount(Adjustable Lens Position)
Image Format :	6.4X4.8mm (D8mm)	Front Thread :	86mm P1
Minimum Object Distance :	2.5m (From Front Vertex)	Size, Weight :	110X100X197.5mm, Approx. 1470g
Optical Back Focal Distance :	18.7mm (In Air)		
Flange Back :	17.526mm		

[COMPOSITION]

- Lens1
- Lens Cap1
- Dust Cap1

[DIMENSIONS]



[CIRCUIT DIAGRAM]

