

HZ10350RDC IR-MP

[SPECIFICATIONS]

Image Size: $\frac{1}{2}$

Focal Length : 10 - 350mm
 Maximum Relative Aperture : 1:1.6
 Iris : F1.6 - Approx. 360 (Tele F4.5)
 Zoom Ratio : 35X
 Angular Field of View : 35.2 X 26.5 deg. at 10mm
 1.1 X 0.8 deg. at 350mm
 Image Format : 6.4 X 4.8mm (D8mm)
 Minimum Object Distance : 4m (From Front Vertex)
 Object Dimensions at M.O.D. : 253.4 X 188.5cm at 10mm
 7.4 X 5.7cm at 350mm
 Optical Back Focal Distance : 15.14mm (In Air)

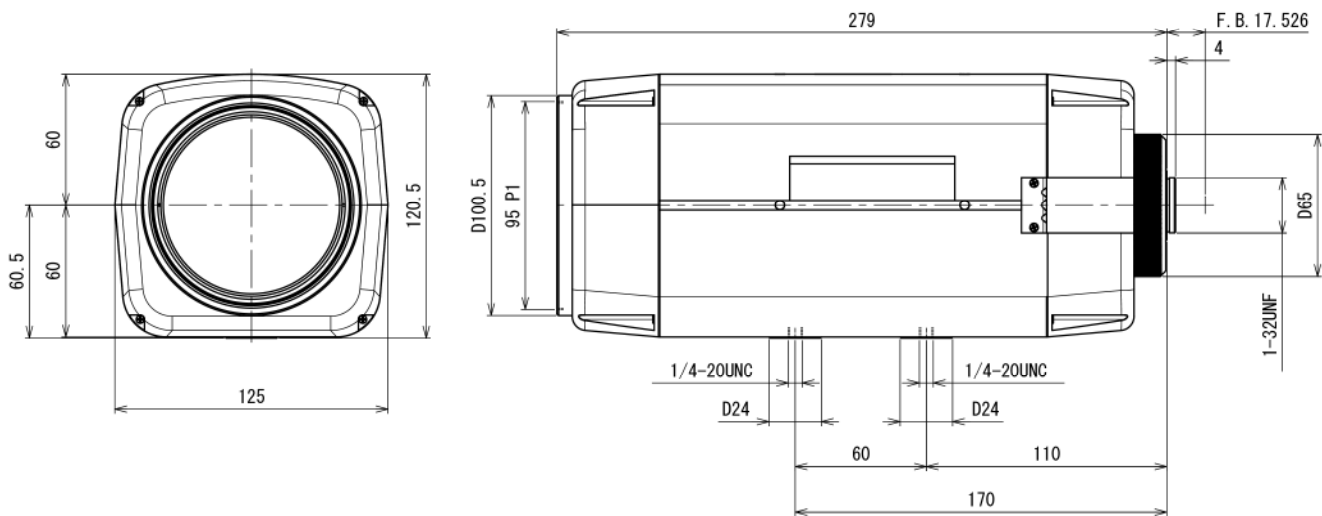
Flange Back : 17.526mm
 Operation : Zoom : Motorized (DC+/-6.4V , Max40mA)
 Focus : Motorized (DC+/-6.4V , Max40mA)
 Iris : IG(Auto Close System)
 Close to Open : Less than 4.0V
 Open to Close : More than 0.1V
 Operation Temperature : -10 to +50°C
 Mount : C-Mount (Adjustable Lens Position)
 Front Thread : 95mm P1
 Size, Weight : 120 X 120.5 X 279mm, Approx. 3.5kg

[COMPOSITION]

- Lens1
- Lens Cap1
- Dust Cap1

4-Conductor Connector(Female)1
 (Any 4-conductor cable of external dia 6mm to be prepared separately.)

[DIMENSIONS]



Unit : mm

[CIRCUIT DIAGRAM]

