

# HZ20750RDC IR-MP PZF

## [SPECIFICATIONS]

Image Size:  $1/1.8$

Focal Length : 20- 750mm  
 Maximum Relative Aperture : 1:3.6 (Tele End 1:9.9)  
 Iris : F3.6 - Approx. 360  
 Zoom Ratio : 37 X  
 Angular Field of View : 18.9 X 14.2 deg. at 20mm  
 0.6 X 0.4 deg. at 750mm  
 Image Format : 7.2 X 5.4mm (D9mm)  
 Minimum Object Distance : 4m (From Front Vertex)  
 Object Dimensions at M.O.D. : 128.8 X 96.1cm at 20mm  
 3.9 X 2.9cm at 750mm  
 Optical Back Focal Distance : 14.93mm (In Air)

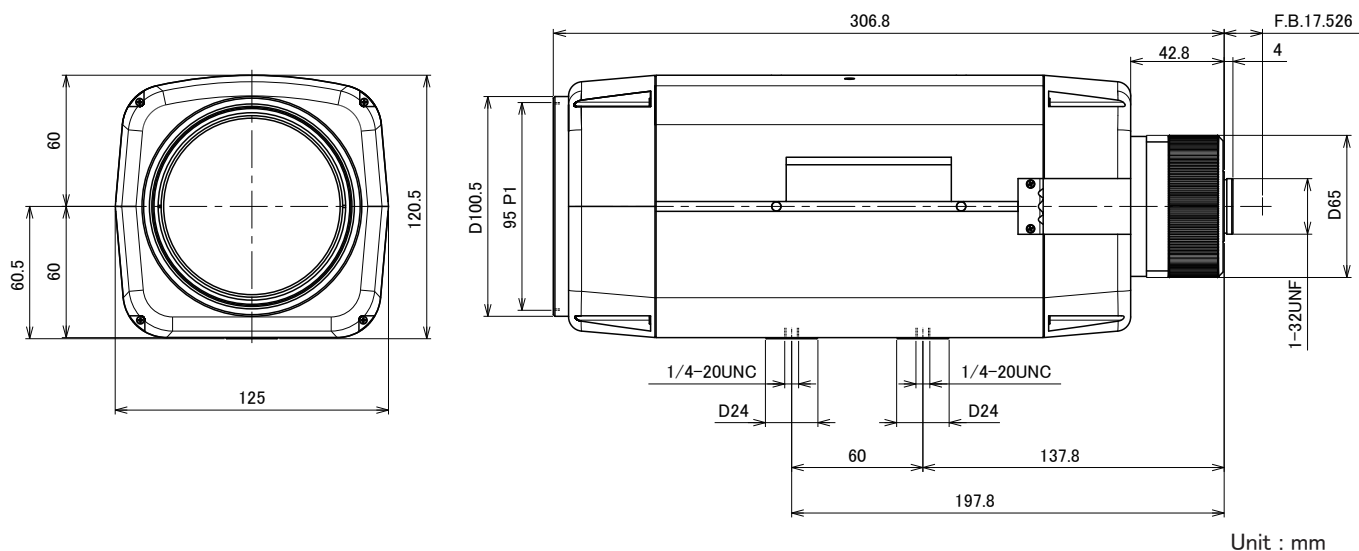
Flange Back : 17.526mm  
 Operation : Zoom : Motorized (DC+/-6.4V , Max70mA at 25°C)  
 Focus : Motorized (DC+/-6.4V , Max70mA at 25°C)  
 Iris : IG(Auto Close System)  
 Close to Open : Less than 4.0V  
 Open to Close : More than 0.1V  
 Operation Temperature : -10 to +50°C  
 Mount : C-Mount (Adjustable Lens Position)  
 Front Thread : 95mm P1  
 Size, Weight : 120 X 120.5 X 306.8mm, Approx. 3.5kg

## [COMPOSITION]

Lens .....1  
 Lens Cap .....1  
 Dust Cap .....1

4-Conductor Connector(Female) .....1  
 (Any 4-conductor cable of external dia 6mm to be prepared separately.)

## [DIMENSIONS]



## [CIRCUIT DIAGRAM]

