

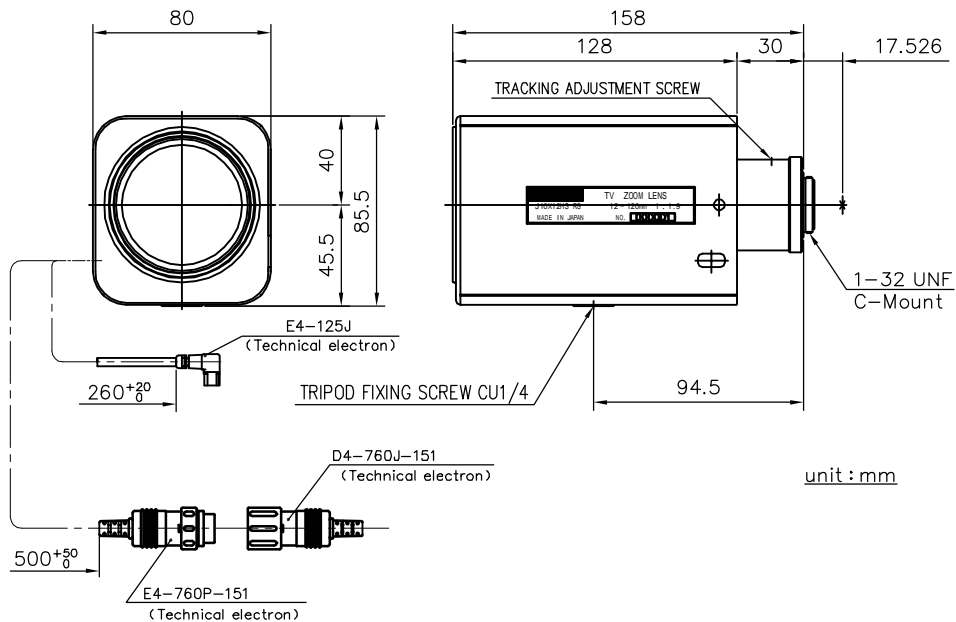
# J 10 X 12 H S R G

12mm~120mm 1:1.9

## 【 SPECIFICATIONS 】

IMAGE FORMAT	9.68mm×7.26mm (ø12.1mm)	INPUT VOLTAGE	ZOOM : DC±6V (35mA)
APPLICABLE CAMERA	2/3,1/2-Type CCTV cameras	(MAXIMUM CURRENT)	FOCUS : DC±6V (35mA)
FOCAL LENGTH	12mm~120mm	VOLTAGE FOR IRIS OPERATION	Close→Open : Less Than 4V
ZOOM RATIO	10×		Open→Close : More Than 0.5V
MAXIMUM RELATIVE IRIS	F1.9~APPROX.360 (LIGHT ADJUST TO COMBINE OF THE BUILT IN A ATTENUATOR AND THE IRIS.)	FLANGE BACK FOCAL LENGTH	17.526mm (IN AIR)
ANGULAR FIELD OF VIEW (HXV)	40.3°×30.8° at 12mm	OPERATION TEMPERATURE	-10°C~+50°C
(2/3-Type cameras)	4.2°×3.2° at 120mm	MOUNT	C-MOUNT (ADJUSTABLE LENS POSITION)
MINIMUM OBJECT DISTANCE	2.0m (FROM FRONT VERTEX)	FILTER SIZE	62mm P0.75
OBJECT DIMENSIONS AT M.O.D.	138.5cm×103.3cm at 12mm	SIZE/WEIGHT	80mm×85.5mm×158mm
(2/3-Type cameras)	14.2cm×10.7cm at 120mm		APPROX. g
OPERATION	ZOOM/FOCUS: MOTORIZED BY CONTROLLER		
	IRIS: DC AUTO IRIS		
OPERATING SPEED	ZOOM : APPROX 10sec		
	FOCUS : APPROX 10sec		
	IRIS : APPROX 2.5sec		

## 【 DIMENSIONS 】



## 【 CIRCUIT DIAGRAM 】

