

# JHF8M-5MP

Image Size:  $\frac{2}{3}$   $\frac{1}{2}$   $\frac{1}{3}$

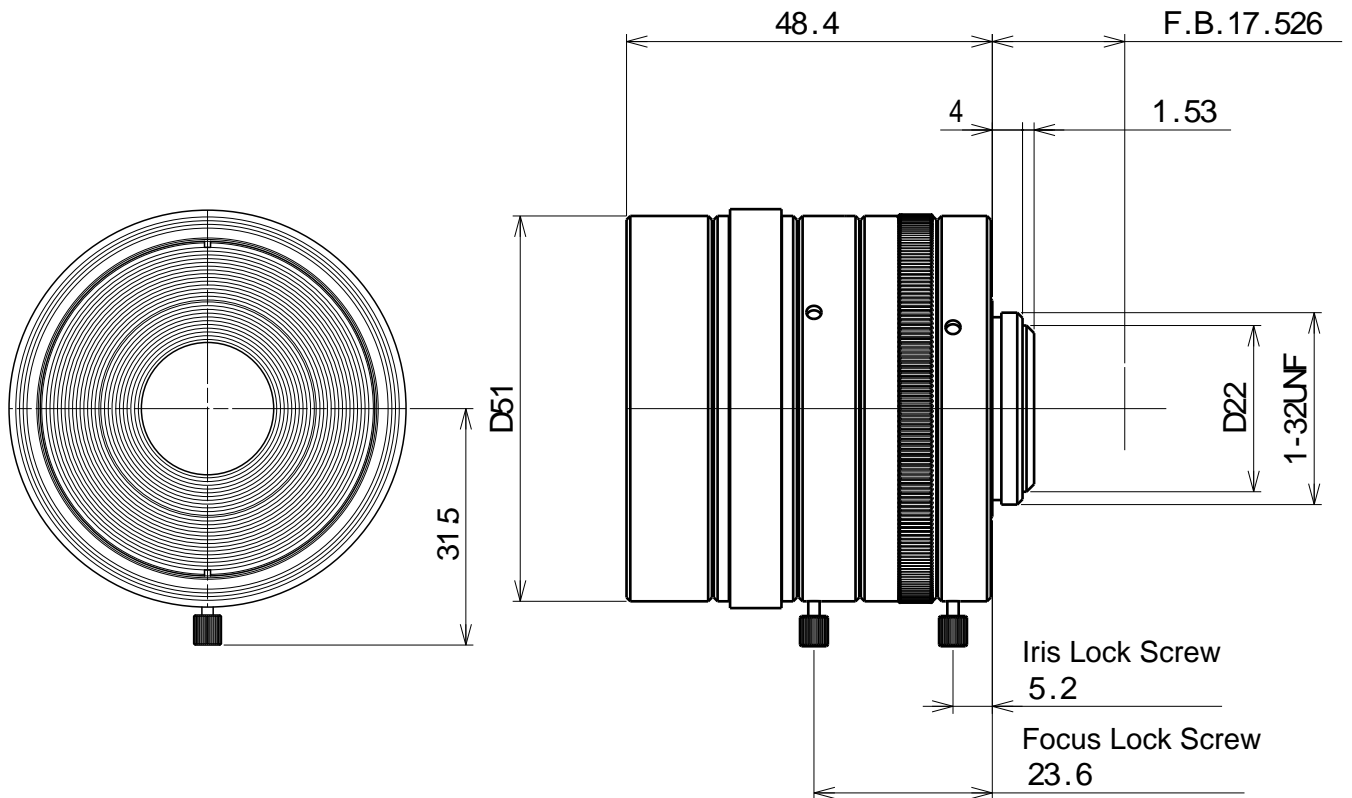
## [SPECIFICATIONS]

Focal Length :	8 mm	Optical Back Focal Distance :	12.40 mm (In Air)
Maximum Relative Aperture :	1:2.8	Flange Back :	17.526 mm
Iris :	F2.8 - 22	Operation :	Focus : Manual Iris : Manual
Angular Field of View :	57.9 X 45.0 deg.	Operation Temperature :	-10 to +50 °C
Image Format :	8.8 X 6.6 mm (D11mm)	Mount :	C-Mount
Minimum Object Distance :	0.1 m (From Front Vertex)	Front Thread :	49 mm P0.75
Distortion :	-1.49 % ( $\infty$ ) -2.23 % (0.15 m)	Size, Weight :	D51 X 48.4 mm 210g

## [COMPOSITION]

Lens .....1  
Lens Cap .....1  
Dust Cap .....1

## [DIMENSIONS]



Unit:mm